

## SECTION 5 CONVEY LINE & CONVEY LINE ACCESSORIES

### Flexibles Hoses & Accessories

#### **FLEXIBLE RUBBER HOSE — 688 SB BULK COMMODITY**

Designed for the transfer of bulk food product via vacuum, gravity or pneumatic systems where abrasion resistance is required.

#### **PRODUCT FEATURES**

- Type D<sub>3</sub> natural rubber tube (black)
- Standard thickness is 3/16 inch, with 3/8-inch available on request
- Available 2-inch to 6-inch outside diameter
- Synthetic, high-tensile textile reinforcement with wire helix
- Available with straight ends, enlarged ends available on request



#### **FLEXIBLE RUBBER HOSE — 690 SB BULK COMMODITY**

Designed for the transfer of bulk food product via vacuum, gravity or pneumatic systems where FDA sanitary tubing is required.

#### **PRODUCT FEATURES**

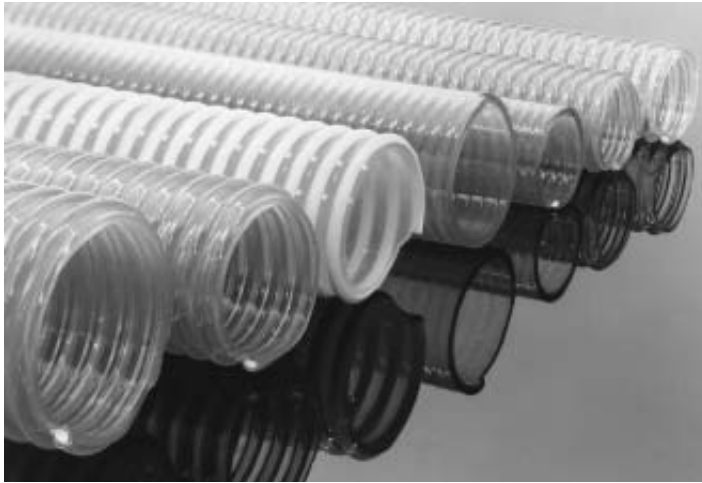
- Type D<sub>3</sub> food-grade, natural rubber tube, white with grey exterior
- Standard thickness is 3/16 inch, with 3/8-inch available on request
- Available 2-inch to 6-inch outside diameter
- Synthetic, high-tensile textile reinforcement with wire helix
- Available with straight ends, enlarged ends available on request



*Note: Not recommended for vinegar, mustard or other compounds containing acetic acid.*

## SECTION 5 CONVEY LINE & CONVEY LINE ACCESSORIES

### Flexibles Hoses & Accessories



#### **FLEXIBLE PVC HOSE**

Designed to handle most bulk conveying system requirements.

#### **PRODUCT FEATURES**

- Suitable for vacuum or pressure service
- Ideal for conveying pellet, granular or powder materials
- Available in clear or high-density PVC
- Static dissipation ground wire also available



#### **FLEXIBLE HOSE ACCESSORIES**

Hose clamps designed for a wide variety of flexible hose applications, engineered for excellent grip and hold capacities.

#### **PRODUCT FEATURES**

- Made of galvanized steel saddle, nuts and washers with electroplated spiral-thread bolts
- Double-spiral bolt clamps for 1-1/2-inch to 10-inch hose sizes
- Optional stainless-steel construction available

#### **FLEXIBLE HOSE ASSEMBLIES**

Custom-designed assemblies built to the customer's specifications.

#### **PRODUCT FEATURES**

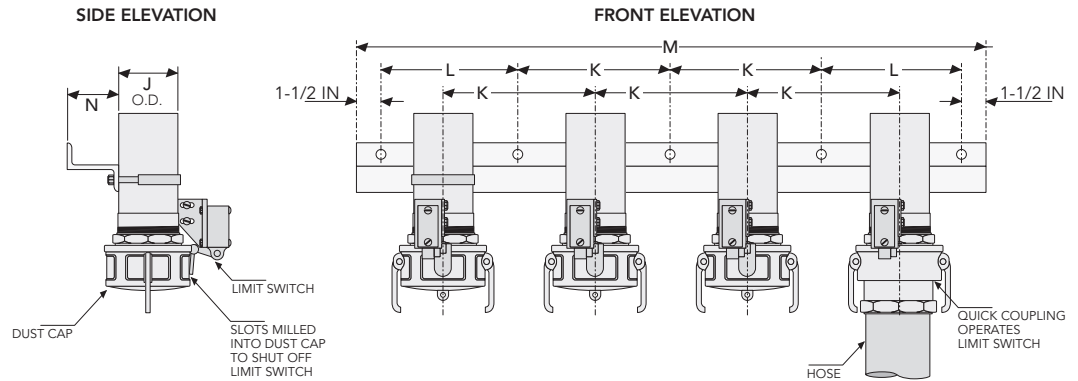
- Rubber hose assembly available with thin-wall-style Quick Connectors or integral-hose-shank-style hose connectors
- Lengths up to 50 feet

# SECTION 5 CONVEY LINE & CONVEY LINE ACCESSORIES

## Flexibles Hoses & Accessories

### HOSE STATIONS

- Comes standard with activating limit switch
- Modified dust cap for coverage without limit switch activations
- Product contact materials available:
  - carbon steel
  - stainless steel
  - aluminum



HOSE STATION MODEL NUMBER NOMENCLATURE							
SERIES NUMBER	NO. OF POSITIONS	DIMENSIONS	PIPE OR TUBE STYLE	ASSEMBLY MATERIAL	QUICK CONNECT	LIMIT SWITCHES	HOSE STYLE
A62	B__	C__	D__	E__	F__	G__	H__

B SPECIFICATIONS	
MODEL NUMBER DASH B	NUMBER OF UNIT POSITIONS REQUIRED
B0	1 position no mounting bracket
B1	2 positions
B2	3 positions
B3	4 positions
B4	5 positions
B5	6 positions
B6	7 positions
B7	8 positions
B8	9 positions
B9	10 positions
B10	11 positions
B11	12 positions

D SPECIFICATIONS	
MODEL NUMBER DASH D	MATERIAL OF PIPE OR TUBE
D1	14-ga (0.083) wall or less tube
D2	11-ga (0.120) wall tube
D3	Schedule 80 pipe
D4	Schedule 40 pipe
D5	Schedule 10 pipe
D6	Schedule 5 pipe

G SPECIFICATIONS	
MODEL NUMBER DASH G	LIMIT SWITCH CONFIGURATION
G1	Without limit switches
G2	Limit switches, each with one set of N.O. contacts and N.C. contacts
G3	Limit switches, each with two sets of N.O. contacts and N.C. contacts
G4	Same as G2 with additional explosion-proof enclosure
G5	Same as G3 with additional explosion-proof enclosure

E SPECIFICATIONS	
MODEL NUMBER DASH E	MATERIAL FOR UNIT ASSEMBLY CONSTRUCTION
E1	304 stainless steel
E2	carbon steel
E3	aluminum

F SPECIFICATIONS	
MODEL NUMBER DASH F	MATERIAL FOR QUICK CONNECT CONSTRUCTION
F1	aluminum
F2	brass
F3	stainless steel

H SPECIFICATIONS	
MODEL NUMBER DASH H	MATERIAL FOR HOSE CONSTRUCTION
H1	No hose supplied with hose station
H2	Metal hose with abrasion-resistant steel interior, galvanized exterior
H3	Metal hose with stainless-steel interior, galvanized exterior
H4	Metal hose with stainless-steel interior and exterior
H5	Rubber hose with black neoprene
H6	Rubber hose with white neoprene

C SPECIFICATIONS																												
MODEL NUMBER DASH C	J OUTSIDE DIAMETER	K UNIT SPACING	L END MOUNTS	HOSE LENGTH	B = NUMBER OF HOSE UNIT STATIONS																							
					2		3		4		5		6		7		8		9		10		11		12			
					M	N	M	N	M	N	M	N	M	N	M	N	M	N	M	N	M	N	M	N				
C1	2	6-1/2	5-1/16	7' 6"	13-1/8	4	19-5/8	4	26-1/8	4	32-5/8	4	39-1/8	4	45-5/8	4	52-1/8	4	55-5/8	4	65-1/8	4	71-5/8	4	78-1/2	4		
C2	2-3/8	6-1/2	5-1/4	7' 6"	13-1/2	4	20	4	26-1/2	4	33	4	39-1/2	4	46	4	52-1/2	4	59	4	65-1/2	4	72	4	78-1/2	4		
C3	3	8-1/4	6-7/16	7' 6"	15-7/8	4	24-1/8	4	32-3/8	4	40-5/8	4	48-7/8	4	57-1/8	4	65-3/8	4	73-5/8	4	81-7/8	4	90-1/8	4	98-3/8	4		
C4	3-1/2	8-1/4	6-11/16	7' 6"	16-3/8	4	24-5/8	4	32-7/8	4	41-1/8	4	49-3/8	4	57-5/8	4	65-7/16	4	74-1/8	4	82-3/8	4	90-5/8	4	98-7/8	4		
C5	4	9-1/4	7-7/16	10' 0"	17-7/8	4	27-1/8	4	36-3/8	4	45-5/8	4	54-7/8	4	64-1/8	4	73-3/8	4	82-5/8	4	91-7/8	4	101-1/8	6	110-3/8	6		
C6	4-1/2	9-1/4	7-11/16	10' 0"	18-3/8	4	27-5/8	4	36-1/8	4	46-1/8	4	55-3/8	4	64-5/8	4	73-7/8	4	83-1/8	4	92-3/8	4	101-5/8	6	110-7/8	6		
C7	5	10-1/4	8-9/16	10' 0"	20-1/8	4	30-5/8	4	41-1/8	4	51-5/8	4	62-1/8	4	72-5/8	4	83-1/8	4	93-5/8	4	104-1/8	6	114-5/8	6	125-1/8	6		
C8	5-9/16	10-1/4	8-27/32	10' 0"	20-11/16	4	31-3/16	4	41-11/16	4	52-3/16	4	62-11/16	4	73-3/16	4	83-11/16	4	94-3/16	4	104-11/16	6	115-3/16	6	125-1/2	6		
C9	6	14	10-13/16	15' 0"	24-5/8	4	38-5/8	4	51-5/8	4	66-5/8	4	80-5/8	4	94-5/8	6	108-5/8	6	122-5/8	6	136-5/8	6						
C10	6-5/8	14	11-1/4	15' 0"	25-1/4	4	39-1/4	4	53-1/4	4	67-1/4	4	81-1/4	4	95-1/4	6	109-1/4	6	123-1/4	6	137-1/4	6						
C11	8	17	13-5/16	15' 0"	29-5/8	4	46-5/8	4	63-5/8	4	80-5/8	6	97-5/8	6	114-5/8	6	131-5/8	6										
C12	8-5/8	17	13-5/8	15' 0"	30-1/4	4	47-1/4	4	64-1/4	4	81-1/4	6	98-1/4	6	115-1/4	6	132-1/4	6										

### HOSE STATION MODEL NUMBER SAMPLE: A62-B2-C5-D2-E2-F1-G2-H2

The above sample model number would describe a Series 62, three-position Hose Station assembly for a 4-inch outside-diameter line with 11-gauge wall tube, carbon-steel product area, aluminum quick connect, water-tight limit switches each with one set of N.O. contacts and one set of N.C. contacts. This assembly would include a 10-foot metal hose with a stainless-steel interior and a galvanized exterior.