

SECTION 1 ROTARY VALVES

Type 6, Square Flange

PRODUCT DESCRIPTION

The Smoot Type 6 rotary valve is constructed to withstand the most abrasive of materials. The housing is constructed with rugged NiHard steel, a closed end rotor constructed of A36 carbon steel, and Stellite on wear surfaces. The Type 6 is designed to perform with the toughest of materials.

PRODUCT FEATURES

- Super abrasion-resistant design
- Cylinder constructed of cast NiHard
- Closed end rotor constructed of carbon steel with Stellite on wear surfaces
- Outboard bearings graphite rope packing
- Chain and sprocket drive with guard



OPTIONS

- High temperature modifications
- Shaft air purge
- Teflon rotor coatings
- Reduced capacity rotors
- Zero speed switches
- Sand blast preparation and custom paint
- Motor mounting brackets
- Low pressure cavity air purge

SAFETY NOTICE

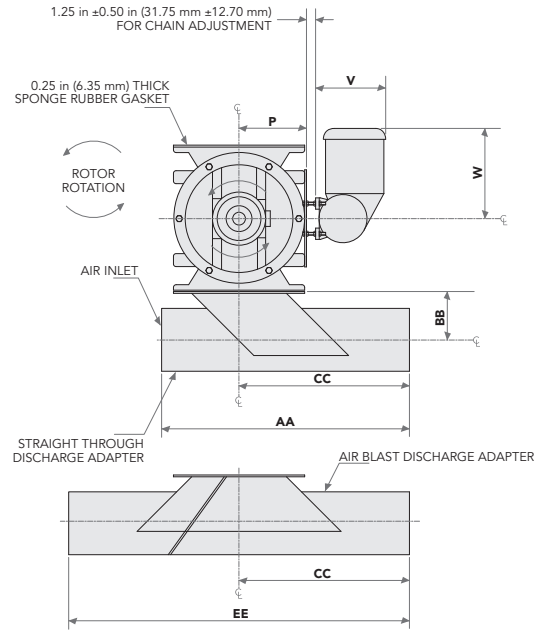
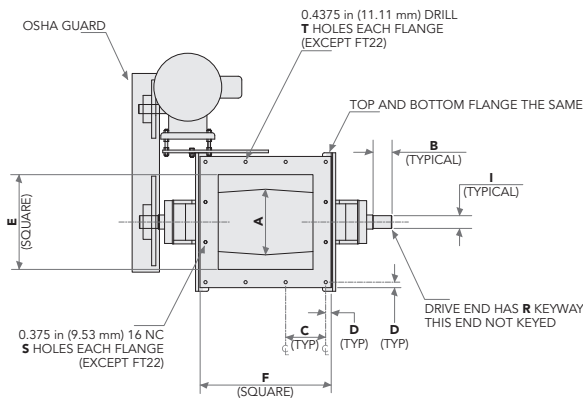
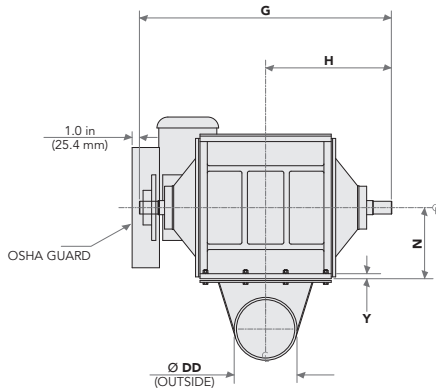
Design Engineers • Technicians • Installers

SAFETY NOTICE

The inlet and outlet of the rotary valve must have proper attachments to prevent anyone from being able to insert their hands, or foreign objects, into the valve when in operation.

SECTION 1 ROTARY VALVES

Type 6, Square Flange



NOTES:

1. FT22 TYPE 6 FEEDERS ARE SUPPLIED WITHOUT BOLT HOLES IN THE TOP AND BOTTOM FLANGES. (16) SMOOTH MANUFACTURED CLAMPS ARE SUPPLIED WITH EACH FT22 TYPE 6 FEEDER AND ARE USED AT TIME OF INSTALLATION.
2. FT12 AND 16 TYPE 6 FEEDERS ARE SUPPLIED WITH CAST IRON ENDPLATES. FT22 TYPE 6 IS SUPPLIED WITH FABRICATED CARBON STEEL ENDPLATES.

Feeder Dimensions (Type 6)			
	FT12	FT16	FT22
A	6-1/2	9	11-3/4
B	2-1/2	2-1/2	3-3/16
C	6-1/2	5-1/2	—
D	1	3/4	—
E	10	13	16
F	15	18	22
G	31-1/2	34-5/8	40-11/16
H	15-3/4	7-5/16	20-11/32
I	1-5/8	1-3/4	2-7/16
M	15-3/4	19-5/8	26

Feeder Dimensions (Type 6)			
	FT12	FT16	FT22
N	7-7/8	9-13/16	13
P	9-1/2	11-1/4	13-3/8
R	3/16 x 3/8	3/16 x 3/8	5/16 x 5/8
S	2	4	—
T	6	8	—
Y	5/8	3/4	1
Net Cubic Feet Dispersed Per Revolution			
Closed End Rotor	0.70	1.60	3.95
Shipping Weight With Motor (pounds)			
Weight	374	858	1540

For Electric Motor Dimensions, contact The Service Center.

SAFETY NOTICE

The inlet and outlet of the rotary valve must have proper attachments to prevent anyone from being able to insert their hands, or foreign objects, into the valve when in operation.

Design Engineers • Technicians • Installers

SAFETY NOTICE



For Ordering and Pricing Information, Call Toll Free 1.800.748.7000