

# SECTION 1 ROTARY VALVES

## Accessories – Discharge Adapter (Straight Thru)

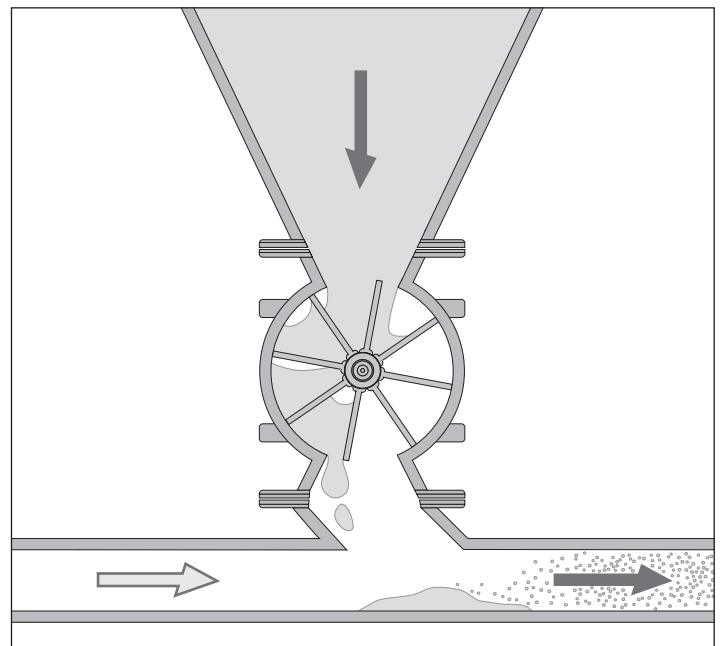
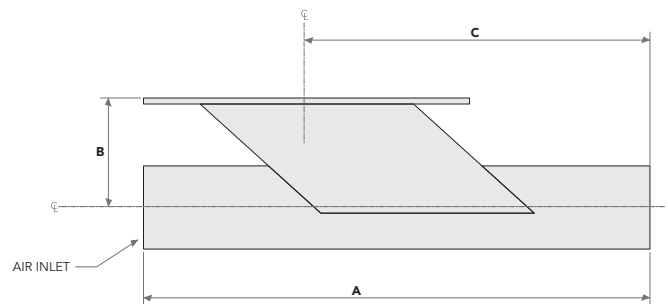
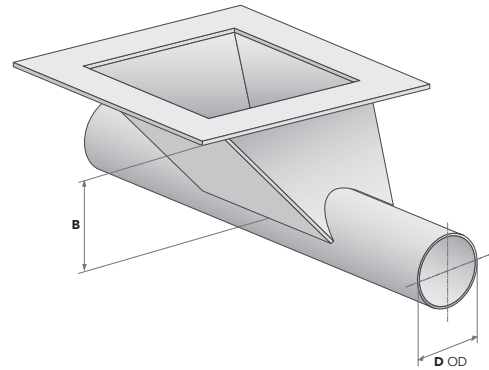
Discharge Adapter (Straight Thru) Dimensions (inches)									
D (OD)	FT7			FT9			FT11		
	A	B	C	A	B	C	A	B	C
1-1/2 pipe	19-7/8	4-1/4	13-3/4	—	—	—	—	—	—
2 tube	20-3/8	4	13-1/2	22-3/8	5-1/2	16-1/4	23-3/8	6-3/8	17-3/4
2-3/8 pipe	20-3/4	3-3/4	13-1/2	22-3/4	5-1/2	16-1/8	23-3/4	6-3/8	17-1/2
3 tube	21-3/8	3-5/8	14-1/8	23-3/8	4-1/2	15-3/4	24-3/8	5-3/8	17-1/4
3-1/2 pipe	21-7/8	4-1/8	14-7/8	23-7/8	4-1/2	15-3/4	24-7/8	5-3/8	17
4 tube	22-3/8	4-1/8	15	24-3/8	4-1/4	16-1/4	25-3/8	4-3/8	16-3/4
4-1/2 pipe	22-7/8	4-1/2	15-5/8	24-7/8	4-3/8	16-5/8	25-7/8	4-3/8	17-1/4
5 tube	23-3/8	4-3/4	16-1/4	25-3/8	4-3/4	17-1/4	26-3/8	4-5/8	17-3/4
5-9/16 pipe	23-7/8	5-3/8	17-1/8	25-7/8	5-1/4	18	27	4-7/8	18-1/4
6 tube	24-3/8	5-3/4	17-3/4	26-3/8	5-3/8	18-3/8	27-3/8	5-1/8	18-3/4
6-5/8 pipe	—	—	—	27	5-3/8	18-5/8	28	5-1/2	19-3/8
8 tube	—	—	—	20-3/8	5-3/4	19-3/4	29-3/8	6-1/8	20-3/4
8-5/8 pipe	—	—	—	—	—	—	30	6-1/2	21-3/8

Discharge Adapter (Straight Thru) Dimensions (inches)									
D (OD)	FT12			FT14			FT16		
	A	B	C	A	B	C	A	B	C
3 tube	25-3/8	6-1/2	18-5/8	27-3/8	8	21-3/8	—	—	—
3-1/2 pipe	25-7/8	6-1/4	18-3/8	27-7/8	8	21-1/8	—	—	—
4 tube	26-3/8	5-1/2	18-1/8	28-3/8	7	20-7/8	29-3/8	7-7/8	22-1/8
4-1/2 pipe	26-7/8	5-1/4	17-7/8	28-7/8	7	20-5/8	29-7/8	7-7/8	21-7/8
5 tube	27-3/8	4-5/8	18-1/4	29-3/8	6	20-3/8	30-3/8	6-7/8	21-5/8
5-9/16 pipe	28	4-7/8	18-3/4	30	6	20	30-7/8	6-7/8	21-1/4
6 tube	28-3/8	5-1/4	19-1/4	30-3/8	5-1/8	20-1/4	31-3/8	5-7/8	21-1/8
6-5/8 pipe	29	5-1/2	19-7/8	31	5-1/2	20-3/4	32	5-5/8	21-3/8
8 tube	30-3/8	6-1/8	21-1/4	32-3/8	6-1/8	22-1/4	33-3/8	6-3/8	22-3/4
8-5/8 pipe	31	6-1/2	21-7/8	33	6-1/2	22-7/8	34	6-5/8	23-3/8
10 tube	—	—	—	34-3/8	7-1/8	24-1/4	35-3/8	7-1/4	24-3/4
10-3/4 pipe	—	—	—	35-1/8	7-1/2	25	36	7-5/8	25-1/2
12 tube	—	—	—	—	—	—	37-3/8	8-7/8	27-1/4
12-3/4 pipe	—	—	—	—	—	—	38	8-1/4	27

Discharge Adapter (Straight Thru) Dimensions (inches)									
D (OD)	FT18			FT22			FT30		
	A	B	C	A	B	C	A	B	C
4-1/2 pipe	32	9-9/16	24-3/4	33	10-3/8	27-11/16	—	—	—
5 tube	32-1/2	8-3/4	24-1/2	33-3/8	9-1/2	25-3/4	48	15	35
5-9/16 pipe	33-1/4	8-9/16	24-1/4	33-7/8	9-7/16	25-3/8	—	—	—
6 tube	33-1/2	7-3/4	24	34-3/8	8-1/2	25-1/4	48	14-3/4	34
6-5/8 pipe	33-5/8	7-9/16	23-5/8	35	8-7/16	24-7/8	48	14-1/2	34
8 tube	33-5/8	6	23-3/4	36-3/8	6-5/8	24-1/4	48	12-3/4	32-7/16
8-5/8 pipe	36-3/16	6-3/8	24-7/16	37	6-9/16	24-7/8	48	12-1/2	32-7/16
10 tube	37-1/2	7	25-3/4	39-3/8	7-3/8	26-3/8	48	10-3/4	31-1/8
10-3/4 pipe	38-1/4	7-3/8	26-1/2	39	7-3/4	27-1/8	48	10-1/2	31-1/8
12 tube	39-1/2	8	27-3/4	40-3/8	8-3/8	28-1/4	48	8-3/4	30-11/16
12-3/4 pipe	40-1/4	8-3/8	28-1/2	41	8-1/2	28-7/8	48	8-1/2	30-15/16

### PRODUCT FEATURES

- Constructed of aluminum, carbon steel, or stainless steel
- Straight Thru design effectively directs material away from rotor pocket



### SAFETY NOTICE

The inlet and outlet of the rotary valve must have proper attachments to prevent anyone from being able to insert their hands, or foreign objects, into the valve when in operation.

Design Engineers • Technicians • Installers

### SAFETY NOTICE