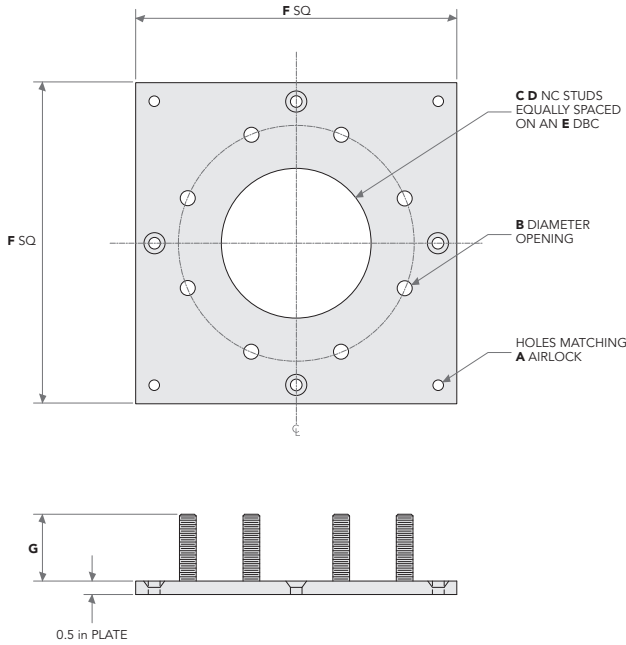


SECTION 1 ROTARY VALVES

Accessories – Rotary Valve Flat Plate Adapter



PRODUCT DESCRIPTION

The purpose of the Smoot Rotary Valve Flat Plate Adapter is to be able to mount a rotary valve to existing equipment with standard Class 150 pipe flange mounting dimensions.

PRODUCT FEATURES

- Enables the rotary valve to be mounted to existing equipment
- Available in Class 150 or 1/2-inch plate flange mounting dimensions
- Constructed of 304 stainless or carbon steel

Rotary Valve Flat Plate Adapter

Dimensions (inches)

ROTARY VALVE FEEDER SIZE	CLASS 150 FLANGE	B ¹	C	D	E	F	G(1) for Class 150 Thick Flanges	G(2) for 0.25-inch Thick Flanges
FT7	5-inch pipe	5-1/16	8	10 x 3/4	8-1/2	11	2-1/4	1-3/4
	6-inch pipe	6-1/16	8	10 x 3/4	9-1/2	11	2-1/4	1-3/4
FT9	6-inch pipe	6-1/16	8	10 x 3/4	9-1/2	12	2-1/4	1-3/4
	8-inch pipe	8	8	10 x 3/4	11-3/4	12-3/4 ²	2-1/4	1-3/4
FT11	6-inch pipe	6-1/16	8	10 x 3/4	9-1/2	13	2-1/4	1-3/4
	8-inch pipe	8	8	10 x 3/4	11-3/4	13	2-1/4	1-3/4
FT12	8-inch pipe	8	8	10 x 3/4	11-3/4	15	2-1/4	1-3/4
	10-inch pipe	10	12	9 x 7/8	14-1/4	15-3/4 ²	2-5/8	2
FT14	10-inch pipe	10	12	9 x 7/8	14-1/4	17	2-5/8	2
	12-inch pipe	12	12	9 x 7/8	17	18-3/4 ²	2-5/8	2
FT16	10-inch pipe	10	12	9 x 7/8	14-1/4	18	2-5/8	2
	12-inch pipe	12	12	9 x 7/8	17	18-1/2 ²	2-5/8	2
FT18	12-inch pipe	12	12	9 x 7/8	17	20	2-5/8	2
	14-inch pipe	13-1/4	12	8 x 1	18-3/4	20-1/2 ²	2-3/4	2
FT22	14-inch pipe	13-1/4	12	8 x 1	18-3/4	22	2-3/4	2
	16-inch pipe	15-1/4	16	8 x 1	21-1/4	23	2-3/4	2
FT30	18-inch pipe	17-1/4	16	7 x 1-1/8	22-3/4	31	3-1/4	2-1/4
	20-inch pipe	19-1/4	20	7 x 1-1/8	25	31	3-1/4	2-1/4

¹Opening is based on the I.D. of Sch40 pipe for 5-inch through 10-inch and of standard weight pipe on 12-inch through 20-inch.

²These flanges are slightly larger than the rotary valve flange to accommodate a larger Class 150 flange.

SAFETY NOTICE

The inlet and outlet of the rotary valve must have proper attachments to prevent anyone from being able to insert their hands, or foreign objects, into the valve when in operation.

Design Engineers • Technicians • Installers

SAFETY NOTICE