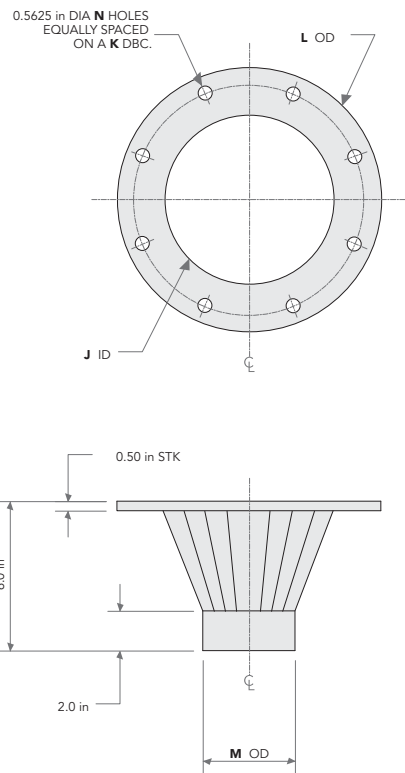
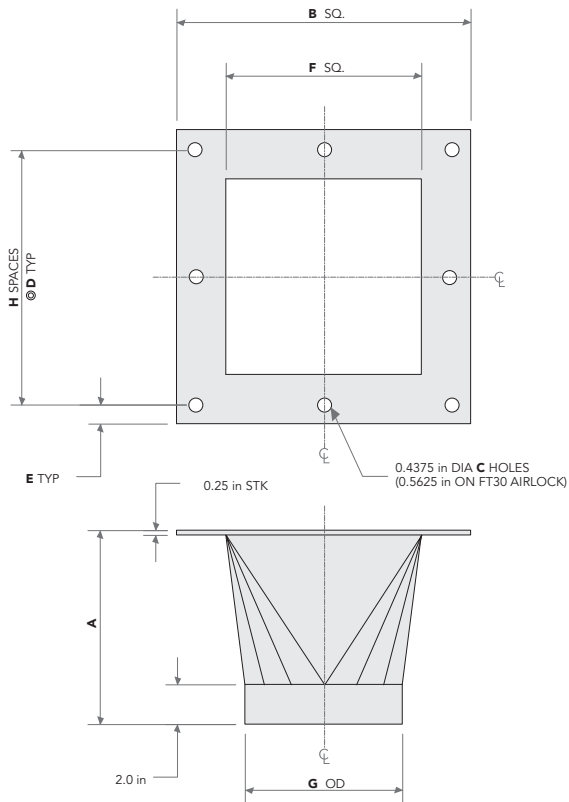


# SECTION 1 ROTARY VALVES

## Accessories – Discharge Transitions

### PRODUCT FEATURES

- Available in round ANSI Class 150 pipe flange dimensions with 9/16-inch bolting or standard ANSI hole diameter
- Available in rotary valve square flange dimensions
- Constructed of carbon steel, stainless steel or aluminum
- Available in customer specified lengths



Rotary Valve Flange								
SIZE	A	B	C	D	E	F	G	H
FT7	6	11	8	4-3/4	3/4	6	6,5,4	2
FT9	7-3/4	12	8	5-1/4	3/4	8	8,6,5	2
FT11	8-1/8	13	8	5-3/4	3/4	9	10,8,6	2
FT12	9-1/8	15	8	6-1/2	1	10	10,8,6	2
FT14	10	17	12	5-1/4	5/8	12	12,10,8	3
FT16	9-1/2	18	12	5-1/2	3/4	13	14,12,10	3
FT18	10	20	12	6	1	15	16,14,12	3
FT22	11-1/2	22	16	5	1	16	16,14,12	4
FT30	14-3/4	31	16	7	1-1/2	23	24,20,18	4

Round Flange					
SIZE	J	K	L	M	N
6-in ASA	6	9-1/2	11	5,4	8
8-in ASA	8	11-3/4	13-1/2	6,5	8
10-in ASA	10	14-1/4	16	8,6	12
12-in ASA	12	17	19	10,8	12
14-in ASA	14	18-3/4	21	12,10	12
16-in ASA	16	21-1/4	23-1/2	14,12	16
18-in ASA	18	22-3/4	25	16,14	16
20-in ASA	20	25	27-1/2	18,16	20
24-in ASA	24	29-1/2	32	20,18	20

### SAFETY NOTICE

The inlet and outlet of the rotary valve must have proper attachments to prevent anyone from being able to insert their hands, or foreign objects, into the valve when in operation.

Design Engineers • Technicians • Installers

### SAFETY NOTICE