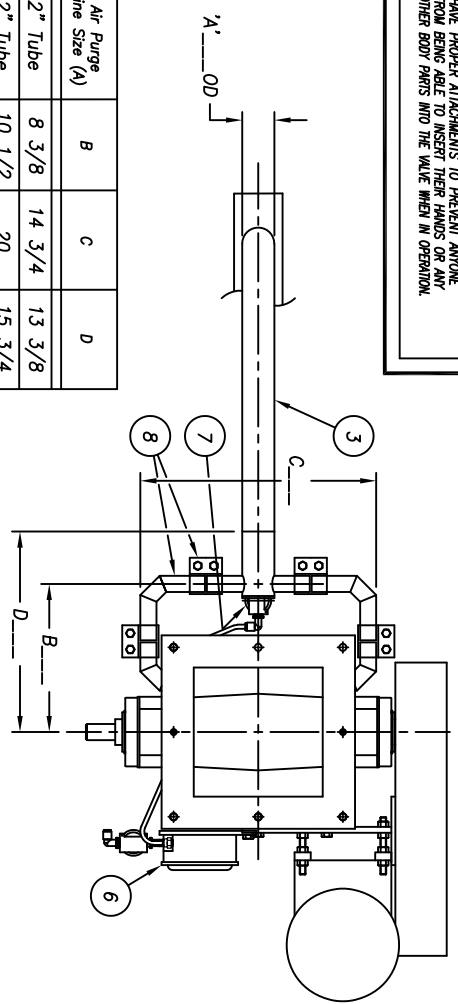
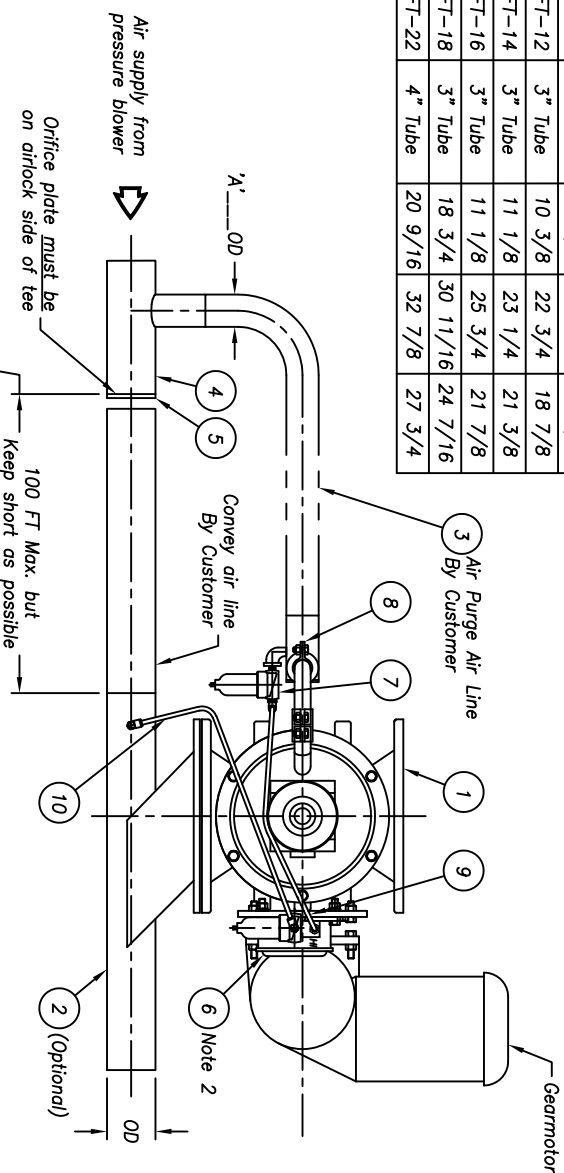


WARNING
 DESIGN ENGINEERS, TECHNICIANS & INSTALLERS
 THE INLET AND OUTLET OF THE ROTARY VALVE MUST
 HAVE PROPER ALIGNMENTS TO PREVENT ANYONE
 FROM BEING ABLE TO INSERT THEIR HANDS OR ANY
 OTHER BODY PARTS INTO THE VALVE WHEN IN OPERATION.



Feeder Size	Air Purge Line Size (A)	B	C	D
FT-9	2" Tube	8 3/8	14 3/4	13 3/8
FT-11	2" Tube	10 1/2	20	15 3/4
FT-12	3" Tube	10 3/8	22 3/4	18 7/8
FT-14	3" Tube	11 1/8	23 1/4	21 3/8
FT-16	3" Tube	11 1/8	25 3/4	21 7/8
FT-18	3" Tube	18 3/4	30 11/16	24 7/16
FT-22	4" Tube	20 9/16	32 7/8	27 3/4



Consult Smoot if dimension requirements are greater than 100Ft.

1. Consult Smoot Engineering when the installation involves two or more airlocks with Cavity Air Purge in the same convey line.
 2. The purpose of the Differential pressure gauge is to indicate that LoPress Air Purge is functioning properly. There is no maximum gauge reading. If the gauge reading gets below 5" of water, corrective action should be taken. Failure to correct the problem will cause accelerated aversive wear of Airlock and premature failure.
- Possible causes of a low gauge reading are leakage or breaks in the Air Purge line and fittings, faulty gauge, orifice diameter too large, or worn Airlock.
3. The discharge adapter will be provided with a 1/4" tapped hole for connection of low pressure CAP gauge line. If customer supplies his own discharge adapter, customer must tap a 1/4" NPT hole into side of discharge adapter.

DETAIL NO.	NO. REQ.	DESCRIPTION
10	1	1/4" LoPress-Side Gauge Line
9	1	1/4" HiPress-Side Gauge Line
8	4	Air Purge Fittings
7	2	Differential Pressure Gauge Filter
6	1	Differential Pressure Gauge
5	1	Orifice Plate
4	1	Convey Line Tee
3	AR	Air Purge Manifold Piping (By Customer)
2	1	Feeder Discharge Adapter (Optional)
1	1	Rotary Airlock Feeder

THIS DRAWING IS THE EXCLUSIVE PROPERTY OF SMOOT. IT'S ACCEPTANCE CONSTITUTES AN AGREEMENT THAT IT SHALL BE REPRODUCED AS A SEPARATE CONSTRUCTION DOCUMENT. ANY REPRODUCTION OF THIS DRAWING WITHOUT THE WRITTEN PERMISSION OF SMOOT SHALL BE CONSIDERED A VIOLATION OF THE DRAWING AS A WHOLE. DISCREPANCIES, CORRECTIONS, OR REVISIONS ARE TO BE COMMUNICATED TO SMOOT COMPANY TO BE IMPLEMENTED.



1250 Seminary St.
 Parsons, KS 66103
 Tel. Free: 800.745.7000
 Fax: 913.582.7883

2205 10th Avenue
 Parsons, KS 67357
 Tel. Free: 888.882.9567
 Fax: 620.421.5586

**FT9 THRU 22 ROTARY AIRLOCK FEEDER
 CAVITY LOPRESS AIR PURGE
 CUSTOMER DRAWING**

Patent #:
 5480268

CF# 10.3.1-4-A
 REV. 6 05/16/03
 PAGE 1 OF 1

DATE 11/15/91
 DWG. BY NRS
 SCALE 1 1/2"=1'-0"

DWG. NO. 53-1
 APPROVED _____