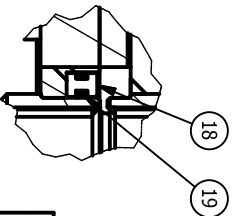
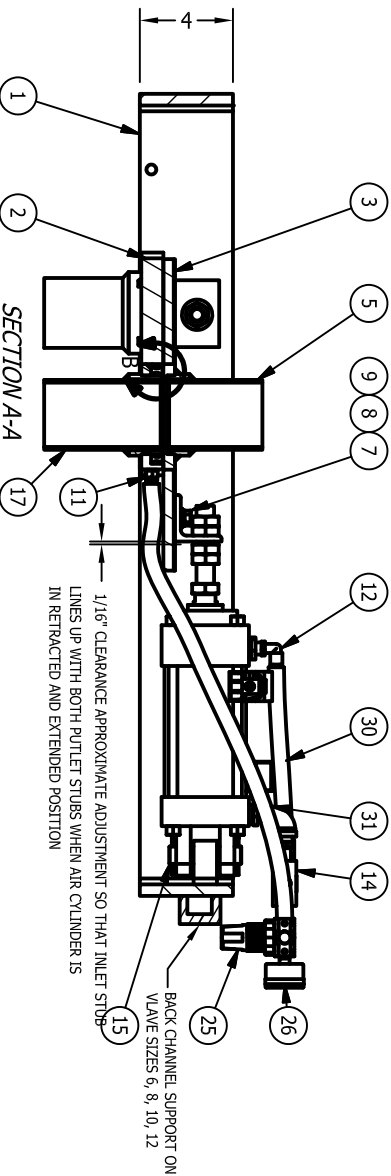
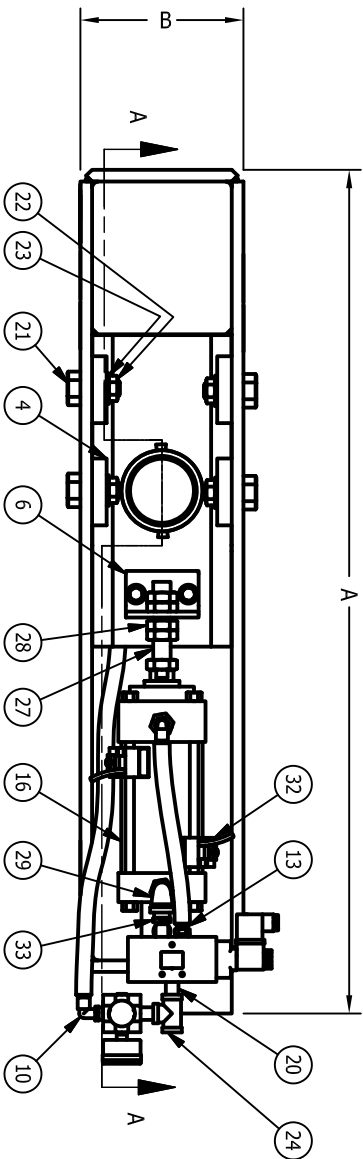


ASSEMBLY

ITEM	QTY	DESCRIPTION
1	1	SLIDE DIVERTER VALVE FRAME
2	1	VALVE BODY
3	1	SLIDE
4	C	SLIDE BEARING
5	1	INLET STUB
6	1	PUSH BAR
7	2	HEX HEAD BOLTS
8	2	FLAT WASHER
9	2	LOCK WASHER
10	1	1/4 NPT 90 DEG. 1/4 HOSE CONNECTION
11	1	1/8 NPT STRAIGHT 1/4 HOSE CONNECTION
12	1	1/4 NPT 90 DEG 3/8 HOSE CONNECTION
13	1	1/4 STRAIGHT 3/8 HOSE CONNECTION
14	1	SOLENOID VALVE
15	1	CLEVIS PIN
16	1	AIR CYLINDER
17	2	OUTLET STUB
18	2	RETAINER RING
19	4	O-RING
20	3	CLOSE 1/4 NPT PIPE NIPPLE
21	C	ECCENTRIC BOLT
22	C	HEX NUT
23	C	FLAT WASHER
24	1	STANDARD PIPE TEE
25	1	REGULATOR VALVE
26	1	GAUGE
27	1	THREADED ROD
28	5	JAM NUT
29	1	3/8 NPT STREET ELBOW
30	AR	3/8 TUBE
31	AR	1/4 POLY TUBE
32	2	MAGNETIC REED SWITCH
33	1	3/8-1/4 NPT HEX REDUCER BUSHING



DETAIL B

DIMENSIONS/AMOUNTS			
BASIC VALVE SIZE	A	B	C
2	27 3/4"	6"	4"
3	34 7/16"	7"	4"
4	41 1/16"	8"	4"
5	46 5/16"	9"	4"
6	51 1/2"	10"	4"
8	62 3/4"	12"	6"
10	74 1/2"	14 1/2"	6"
12	83 9/16"	16 1/2"	6"

MAGNUM SYSTEMS
 2020 S. W. 10th St., Suite 100
 Phoenix, AZ 85027
 Phone 602.421.5500
 Fax 602.421.5331

MAGNUM SYSTEMS
 2020 S. W. 10th St., Suite 100
 Phoenix, AZ 85027
 Phone 602.421.5500
 Fax 602.421.5331

MAGNUM SYSTEMS
 2020 S. W. 10th St., Suite 100
 Phoenix, AZ 85027
 Phone 602.421.5500
 Fax 602.421.5331

MAGNUM SYSTEMS
 2020 S. W. 10th St., Suite 100
 Phoenix, AZ 85027
 Phone 602.421.5500
 Fax 602.421.5331

MAGNUM SYSTEMS
 2020 S. W. 10th St., Suite 100
 Phoenix, AZ 85027
 Phone 602.421.5500
 Fax 602.421.5331

MAGNUM SYSTEMS
 2020 S. W. 10th St., Suite 100
 Phoenix, AZ 85027
 Phone 602.421.5500
 Fax 602.421.5331

MAGNUM SYSTEMS
 2020 S. W. 10th St., Suite 100
 Phoenix, AZ 85027
 Phone 602.421.5500
 Fax 602.421.5331

MAGNUM SYSTEMS
 2020 S. W. 10th St., Suite 100
 Phoenix, AZ 85027
 Phone 602.421.5500
 Fax 602.421.5331

MAGNUM SYSTEMS
 2020 S. W. 10th St., Suite 100
 Phoenix, AZ 85027
 Phone 602.421.5500
 Fax 602.421.5331

MAGNUM SYSTEMS
 2020 S. W. 10th St., Suite 100
 Phoenix, AZ 85027
 Phone 602.421.5500
 Fax 602.421.5331