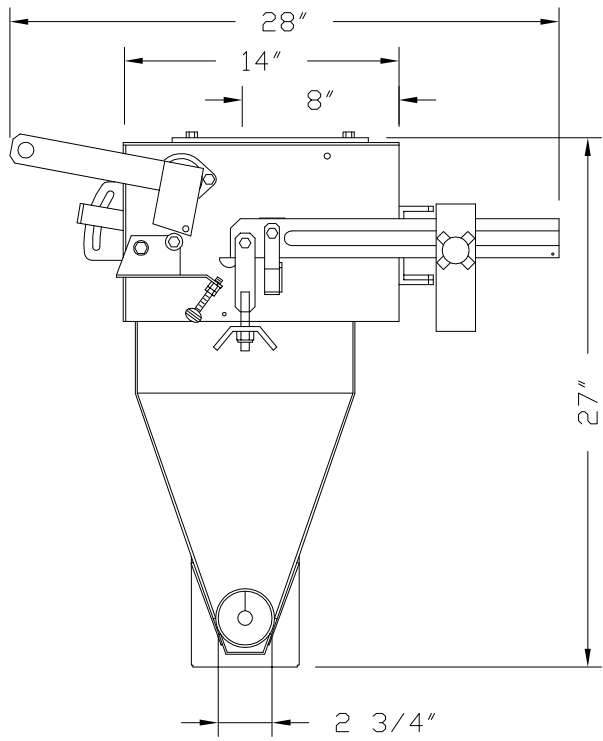
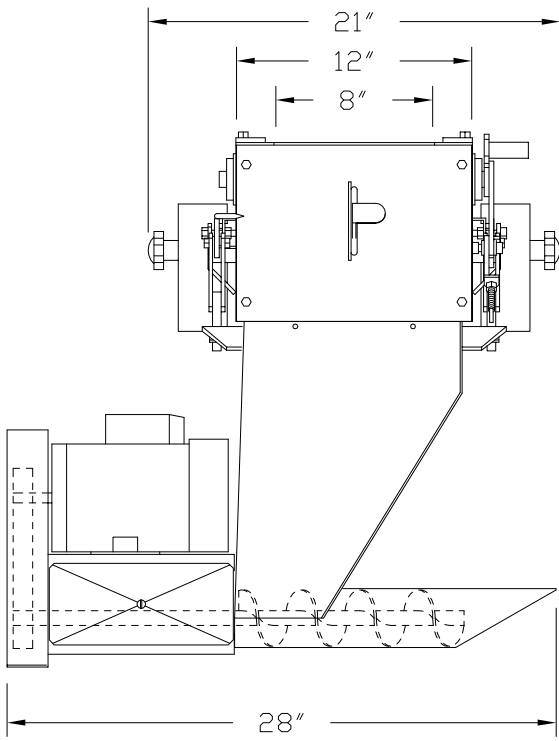
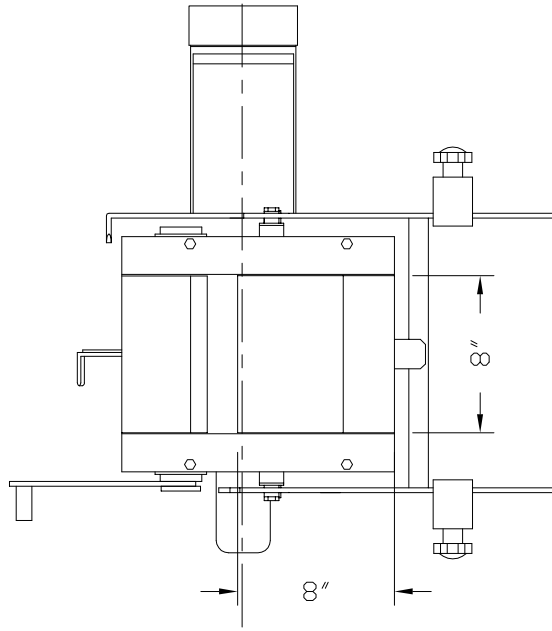



☺
OF DISCHARGE



PSI/SCFM	VOLTAGE
NONE	120V 1 PHASE 5 FLA

	MODEL: GWAP	CUSTOMER NAME: TAYLOR PRODUCTS
	VIEW..: _____	CUSTOMER TAG #: _____
	SCALE: 3/32 TP #: _____	DRAWING DATE.....: 11/14/06
	DRAWN BY: _____ CHECKED BY: _____	REVISED BY.....: _____ ECN #: _____
	P.O. #: _____	DRAWING NAME.....: VB-06 GWAP
ORDER #: _____ PG.:1 OF:1	LAST 2 DIGITS IN DRAWING NAME INDICATE REVISION NUMBER	