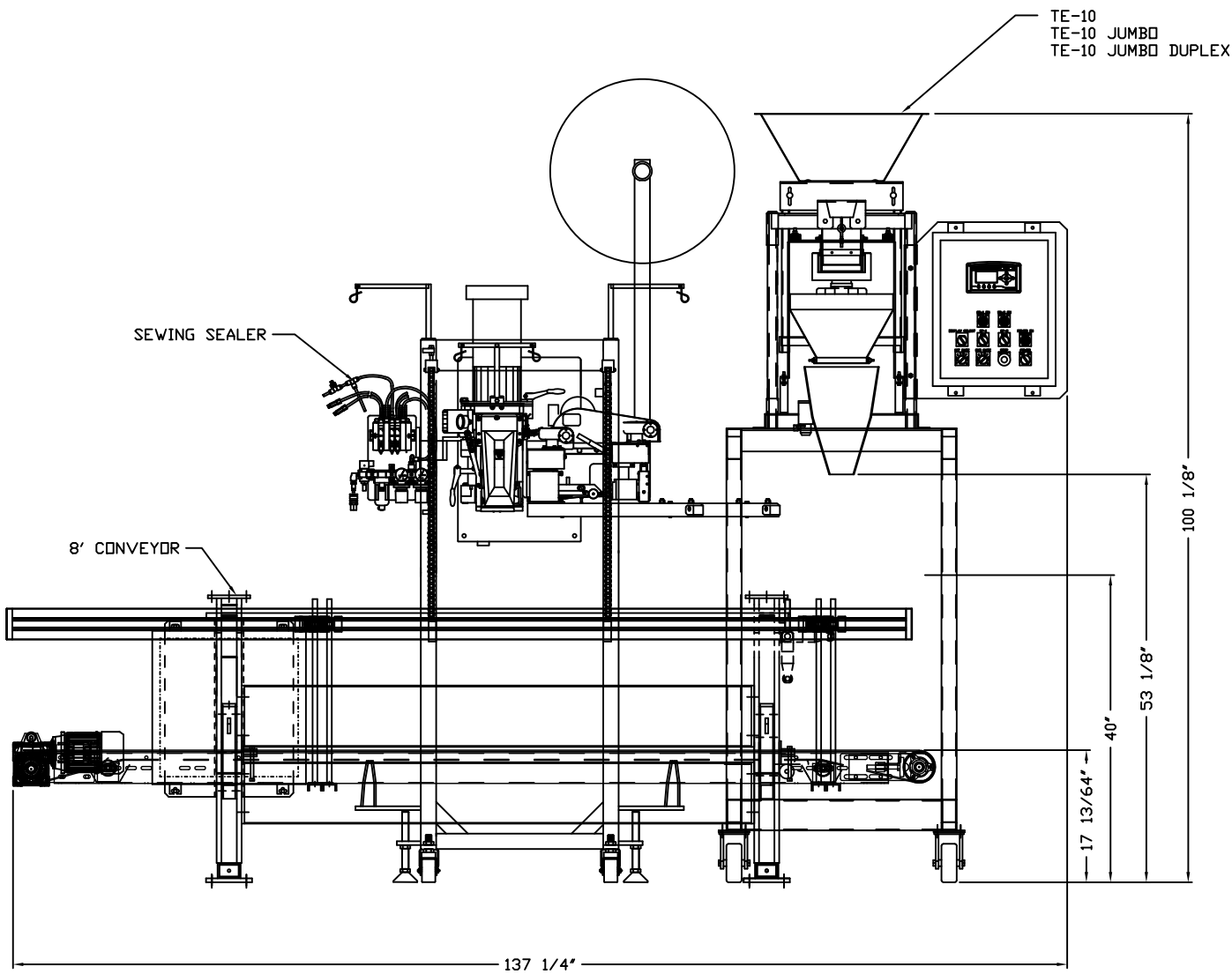
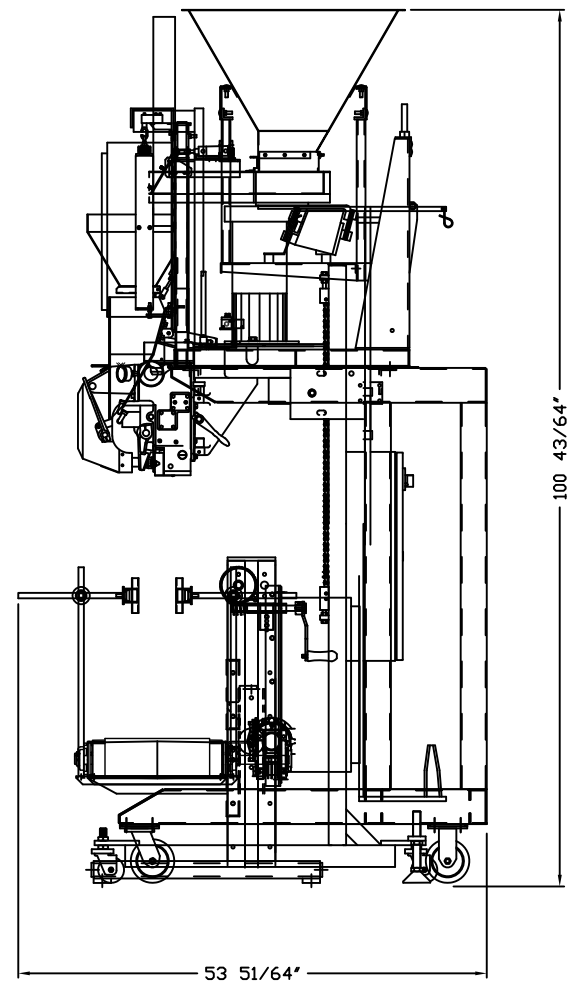


TOP VIEW



FRONT VIEW



SIDE VIEW

<small>EDITING THIS DOCUMENT INVALIDATES THE DRAWING AS A WHOLE. DISCREPANCIES, CORRECTIONS, OR REVISIONS ARE TO BE COMMUNICATED TO MAGNUM SYSTEMS TO BE IMPLEMENTED.</small>		MAGNUM-KANSAS CITY <small>1250 Seminary St. Kansas City, KS 66103 Toll Free 800.748.7000 Phone 913.362.1710 Fax 913.362.7863</small>		MAGNUM-PARSONS <small>2205 Joffe Ave. Parsons, KS 67357 Toll Free 888.882.9567 Phone 620.421.5550 Fax 620.421.5531</small>	
Model SALES		View TE-10 W/ SEALER AND CONVEYOR		QTY	
Customer Name MAGNUM SYSTEMS					
Sales Order N/A			Job Order N/A		
Drawn By DRJ		Date 0		Scale	
Dwg. Name SYSTEM4-SMALL BAG-101-00					
<small>THIS DRAWING IS THE SOLE PROPERTY OF MAGNUM SYSTEMS. ITS ACCEPTANCE CONSTITUTES AN AGREEMENT THAT IT SHALL BE TREATED AS A STRICTLY CONFIDENTIAL DOCUMENT AND IS TO BE RETURNED UPON REQUEST AND IS NOT TO BE COMMUNICATED, DISCLOSED, LOANED OR COPIED EXCEPT AS EXPRESSLY AUTHORIZED IN WRITING BY MAGNUM SYSTEMS.</small>					