

EDITING THIS DOCUMENT INVALIDATES THE DRAWING AS A WHOLE. DISCREPANCIES, CORRECTIONS OR REVISIONS ARE TO BE COMMUNICATED TO MAGNUM SYSTEMS TO BE IMPLEMENTED.

MAGNUM-KANSAS CITY
 1250 Seminary St.
 Kansas City, KS 66103
 Toll Free 800.743.7000
 Phone 913.362.1710
 Fax 913.362.7863

MAGNUM SYSTEMS

MAGNUM-PARSONS
 2205 Joth Ave.
 Parsons, KS 67357
 Toll Free 888.882.9567
 Phone 620.421.5550
 Fax 620.421.5531

Model: OPEN MOUTH LINE View: APO QTY:

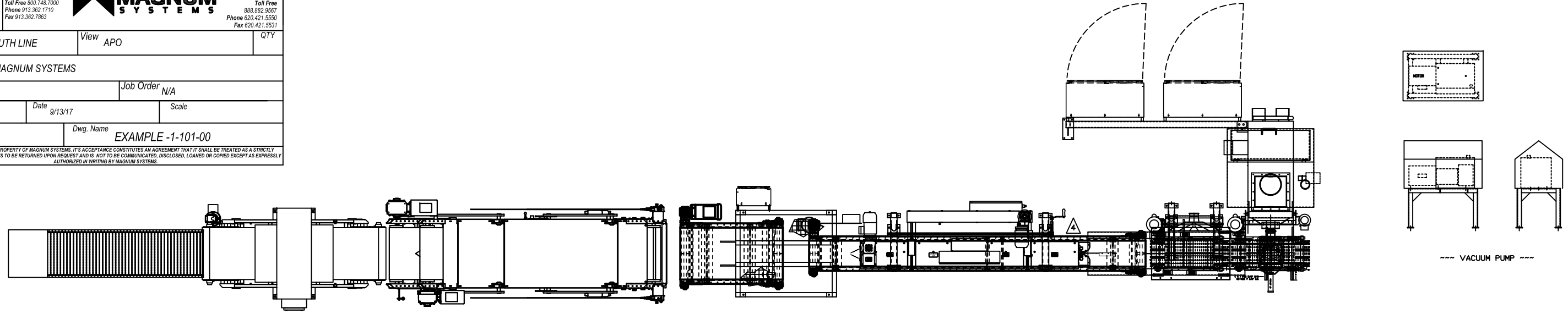
Customer Name: MAGNUM SYSTEMS

Sales Order: N/A Job Order: N/A

Drawn By: DRJ Date: 9/13/17 Scale:

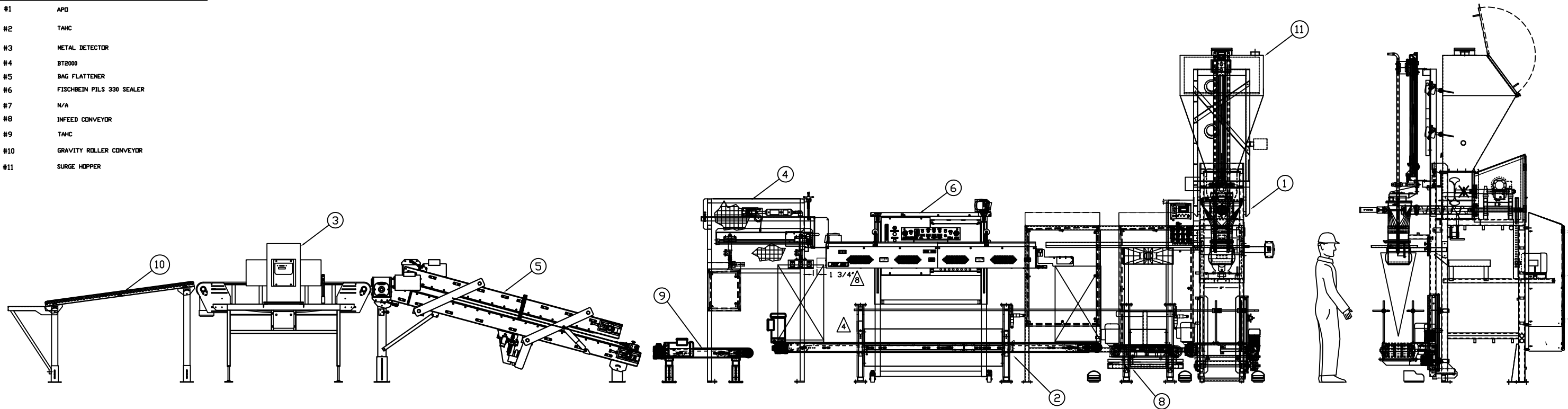
Dwg. Name: EXAMPLE -1-101-00

THIS DRAWING IS THE SOLE PROPERTY OF MAGNUM SYSTEMS. ITS ACCEPTANCE CONSTITUTES AN AGREEMENT THAT IT SHALL BE TREATED AS A STRICTLY CONFIDENTIAL DOCUMENT AND IS TO BE RETURNED UPON REQUEST AND IS NOT TO BE COMMUNICATED, DISCLOSED, LOANED OR COPIED EXCEPT AS EXPRESSLY AUTHORIZED IN WRITING BY MAGNUM SYSTEMS.



--- FRONT VIEW ---

ITEM	DESCRIPTION
#1	APD
#2	TAHC
#3	METAL DETECTOR
#4	BT2000
#5	BAG FLATTENER
#6	FISCHBEIN PILS 330 SEALER
#7	N/A
#8	INFEED CONVEYOR
#9	TAHC
#10	GRAVITY ROLLER CONVEYOR
#11	SURGE HOPPER



--- FRONT VIEW ---

--- END VIEW ---