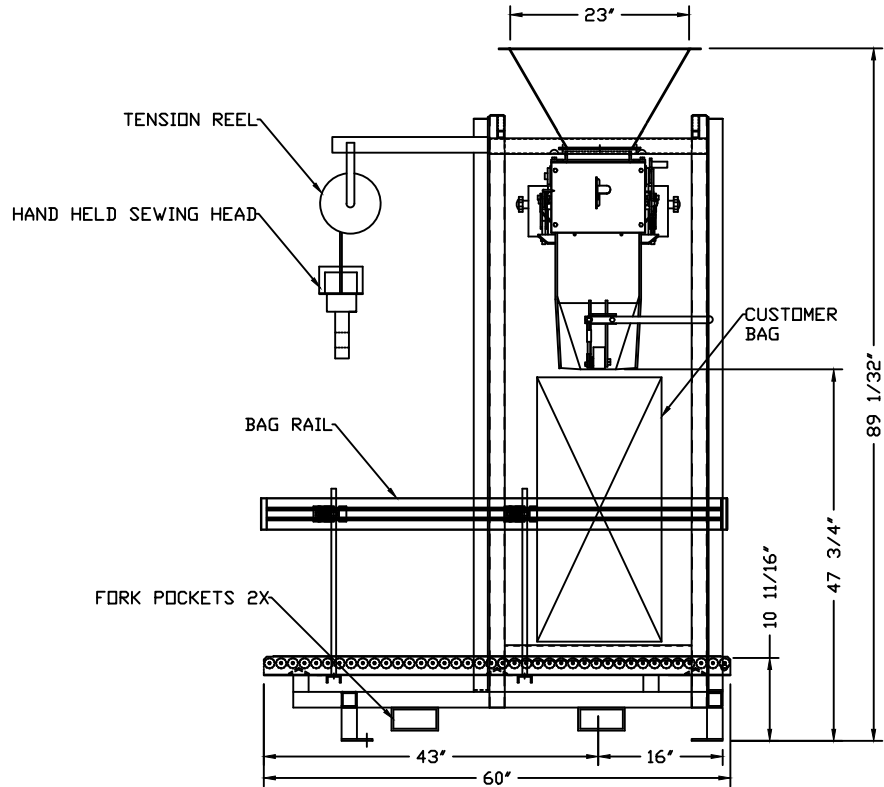
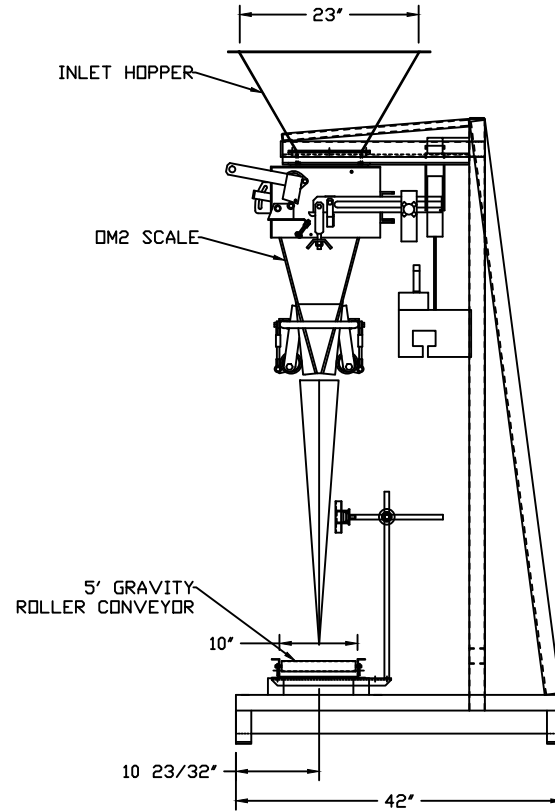


\*\*\* TOP VIEW \*\*\*



\*\*\* FRONT VIEW \*\*\*



\*\*\* END VIEW \*\*\*

<small>EDITING THIS DOCUMENT INVALIDATES THE DRAWING AS A WHOLE. DISCREPANCIES, CORRECTIONS, OR REVISIONS ARE TO BE COMMUNICATED TO MAGNUM SYSTEMS TO BE IMPLEMENTED.</small>		<b>MAGNUM-KANSAS CITY</b> <small>1230 Seimery St.          Kansas City, KS 66103          Toll Free 800.748.7000          Phone 913.362.1710          Fax 913.362.7863</small>		<b>MAGNUM-PARSONS</b> <small>2205 30th Ave.          Parsons, KS 67357          Toll Free 888.882.9567          Phone 620.421.5550          Fax 620.421.5531</small>
Model	OM2 SYSTEM	View	FRONT, LH SIDE, & PLAN	QTY
Customer Name	MAGNUM SYSTEMS			
Sales Order	78816	Job Order		
Drawn By	DRJ	Date	8/3/17	Scale
			Dwg. Name	OM2-300
<small>THIS DRAWING IS THE SOLE PROPERTY OF MAGNUM SYSTEMS. ITS ACCEPTANCE CONSTITUTES AN AGREEMENT THAT IT SHALL BE TREATED AS A STRICTLY CONFIDENTIAL DOCUMENT AND IS TO BE RETURNED UPON REQUEST AND IS NOT TO BE COMMUNICATED, DISCLOSED, LOANED OR COPIED EXCEPT AS EXPRESSLY AUTHORIZED IN WRITING BY MAGNUM SYSTEMS.</small>				