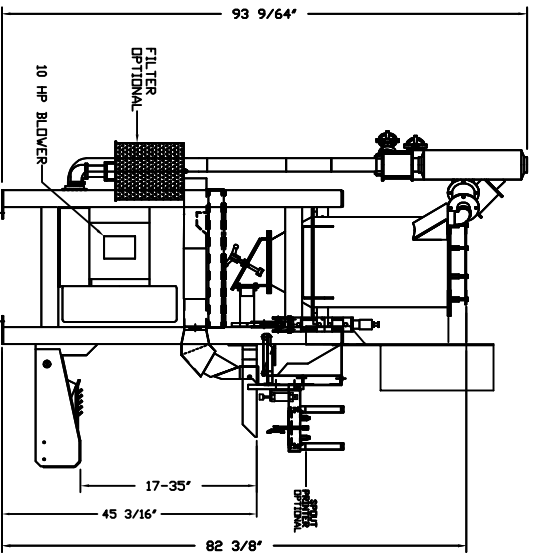
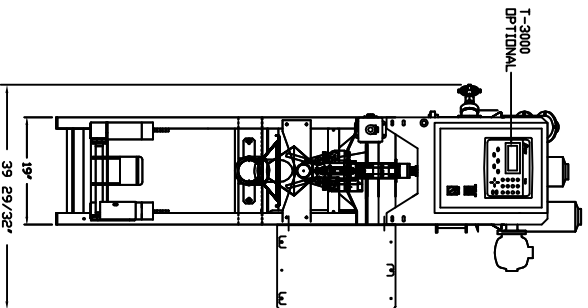


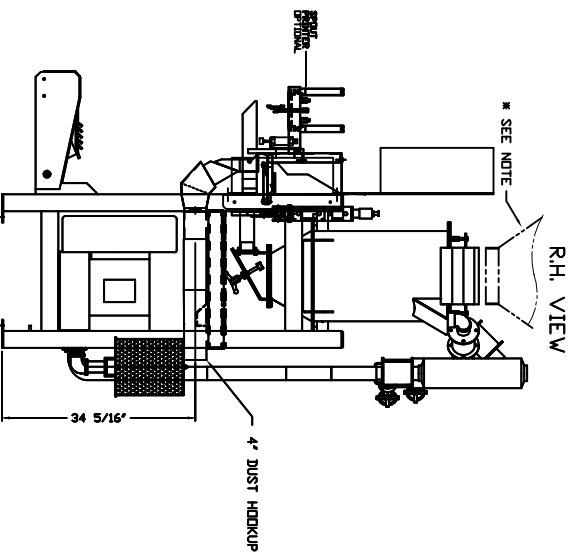
TOP VIEW



FRONT VIEW



FRONT VIEW



R.H. VIEW

* MUST MAINTAIN A MIN OF 10 CU/FT OF PRODUCT
CONSULT FACTORY IF NOT FEASIBLE

INLET BELT PATTERN 69 3/8" - 16 BELTS	PSI/CFM 90/3	HOPPER VOLUME 5700 CU IN
13 3/4" BELT CHAIN	VOL/TAGE 120V 1 PHASE, 3 FLA	ESD/480V 3 PHASE, 30/25 FLA



MODEL: AAIR
VIEW: _____
SCALE: 1"=24" TP # _____
DRAWN BY: RS CHECKED BY: _____
P.O. # _____ PG: 1 OF: 1
ORDER # _____

CUSTOMER NAME: TAYLOR PRODUCTS
CUSTOMER TAG #: _____
DRAWING DATE: 02/28/12
REVISED BY: _____ EGN # _____
DRAWING NAME: VB-01 AAIR-09
LAST 2 DIGITS IN DRAWING NAME INDICATE REVISION NUMBER