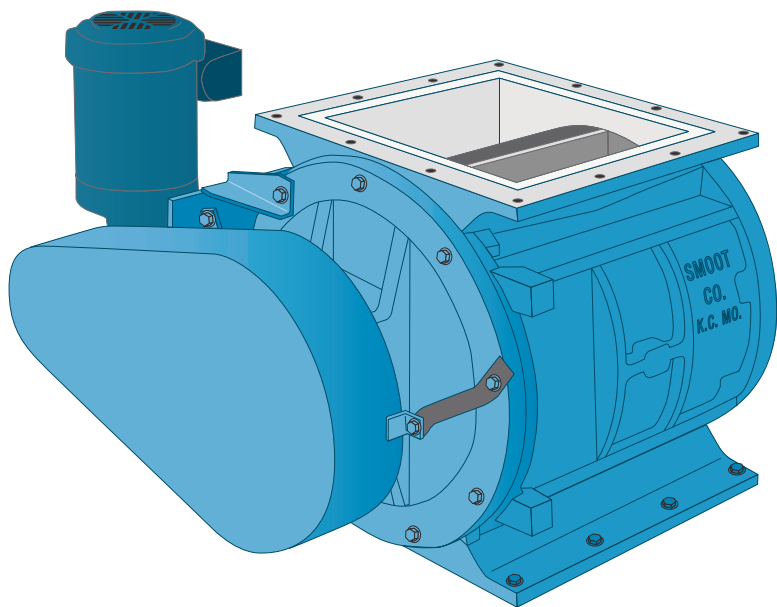


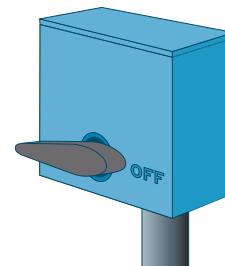
ROTARY AIRLOCK SAFETY PROCEDURES

Prevent damage to **yourself** and your new Smoot Rotary Airlock by following these **simple safety procedures**.



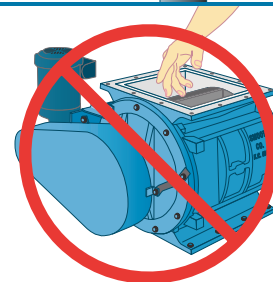
ALWAYS

DISCONNECT power and remove the roller chain BEFORE working on the valve.



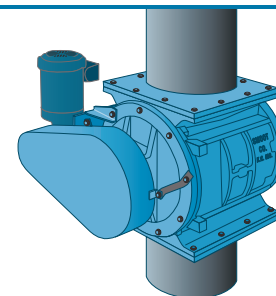
NEVER

Put HANDS into the inlet or outlet openings of the valve.



ALWAYS

Have inlet and outlet PROPERLY COVERED when operating valve.



NEVER

Operate the valve WITHOUT chain guard in place.

