

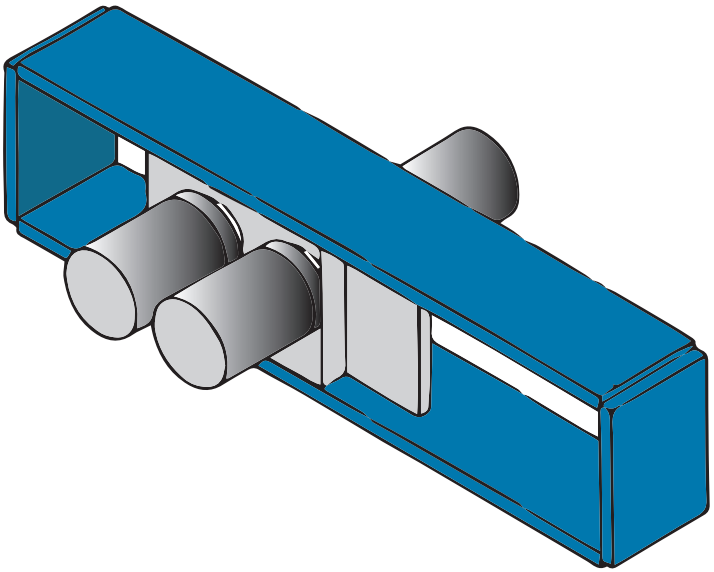
SAFETY FIRST

SLIDE DIVERTER
VALVE

SAFETY

SLIDE DIVERTER VALVE SAFETY PROCEDURES

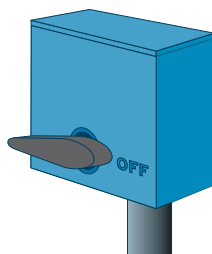
Prevent damage to yourself and your new Slide Diverter by following these simple safety procedures.





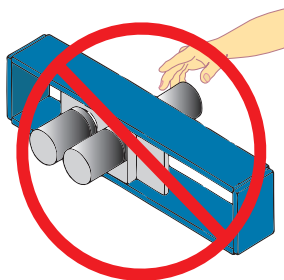
ALWAYS

DISCONNECT power before working on the valve.



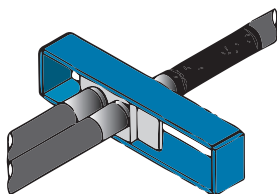
NEVER

Put HANDS into the inlet or outlet openings of the valve.



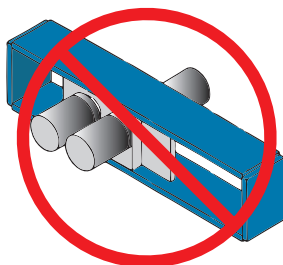
ALWAYS

Have inlet and outlet pipes PROPERLY CONNECTED when operating valve.



NEVER

Perform maintenance on valve while it is in service.



SAFETY FIRST

Slide Diverter Valves are powerful and can be dangerous if you do not follow procedures. Prevent damage to yourself and your new Slide Diverter by following these simple safety procedures.

© Magnum Systems all rights reserved 2018. MS.4022.0519



Toll Free: 888.882.9567
Visit: magnumsystems.com

2205 Jothi Avenue
Parsons, Kansas 67357