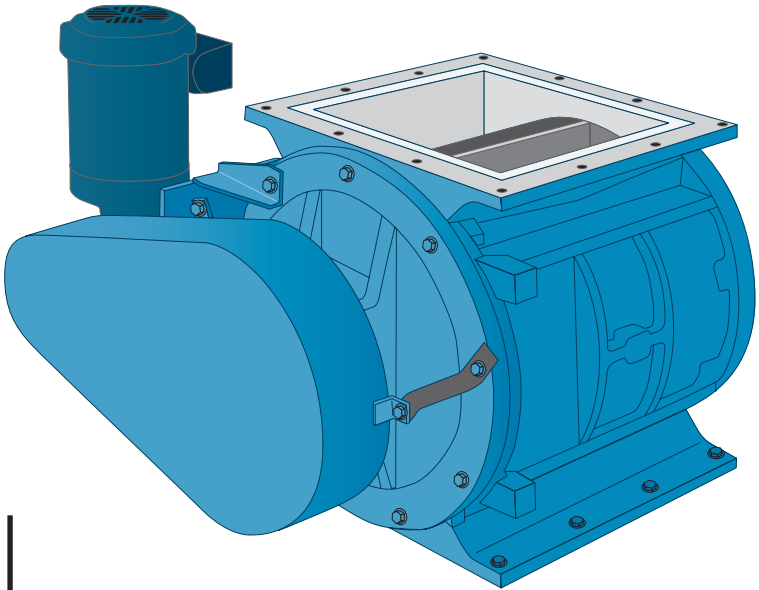


ROTARY  
AIRLOCK

**SAFETY**

## ROTARY AIRLOCK SAFETY PROCEDURES

Prevent damage to yourself and your new Rotary Airlock by following these simple safety procedures.



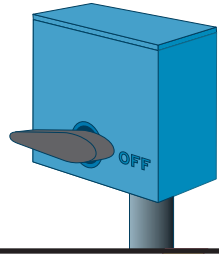


---

## ALWAYS

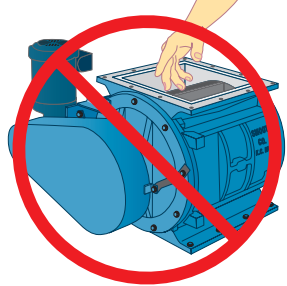
DISCONNECT power and remove the roller chain BEFORE working on the valve.

---



## NEVER

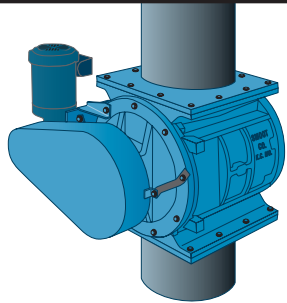
Put HANDS into the inlet or outlet openings of the valve.



---

## ALWAYS

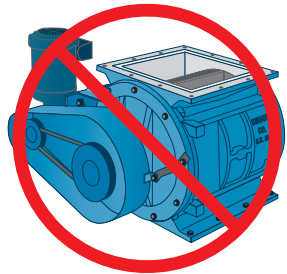
Have inlet and outlet PROPERLY COVERED when operating valve.



---

## NEVER

Operate the valve WITHOUT chain guard in place.



# SAFETY FIRST

Rotary Airlocks are powerful and can be dangerous if you do not follow procedures. Prevent damage to yourself and your new Rotary Airlock by following these simple safety procedures.

© Magnum Systems all rights reserved 2019. MS.1058.0519



Toll Free: 888.882.9567  
Visit: [magnumsystems.com](http://magnumsystems.com)

2205 Jothi Avenue  
Parsons, Kansas 67357