

SECTION 5 CONVEY LINE & CONVEY LINE ACCESSORIES

Compression-Style Couplings

COMPRESSION-STYLE COUPLING

Compression Couplings provide a positive seal for dilute phase pressure and vacuum pneumatic convey lines when joining plain end tubing, pipe, elbows and other line components. These couplings are available in different bolt count arrangements, with a wide variety of gaskets for use in a vast range of applications. Whether your application is low pressure conveying Aggregates, Food Products or Chemicals we can assist you in the identification of the right compression coupling arrangement for your needs. Remember when ordering these couplings for a Vacuum system to include the Gasket Protector to extend the coupling life. This style of compression coupling is generally used in systems with pressures of 15 PSI or less. The assembly and disassembly of these couplings is fast and easy.

PRODUCT FEATURES

- Provides equalized pressure seal
- Provided ready to install
- Available in galvanized steel, aluminum or stainless steel
- Includes inner sleeve for positive seal and extra rigidity
- Available with black neoprene, white neoprene, high temperature as well as other gasket material
- Available from 0.75-inch to 24-inch, tubing and pipe



COMPRESSION-STYLE COUPLING

Dual-locking side bands grip the pipe and allow higher operating pressures than standard compression couplings usually allow. These are especially effective in resisting line end pull and providing a superior connection when excessive vibration may be present. They have also proved to be extremely useful when repairing sections of convey lines, while also providing a positive seal. As found in the standard compression coupling assembly and disassembly is fast and easy.

PRODUCT FEATURES

- Provide vastly improved axial force holding power to connect or repair pipe and tube
- Allows higher operating pressure than normally suggested for compression type coupling
- Especially effective where line vibration is a problem
- Available from 2-inch O.D through 24-inch O.D. nominal pipe or tubing sizes
- Complete coupling, or conversion kits available for existing couplings



SECTION 5 CONVEY LINE & CONVEY LINE ACCESSORIES

High-Pressure Couplings

HIGH-PRESSURE COUPLING FOR PLAIN-END PIPE

Specially designed for plain-end steel and stainless-steel pipe. Gripping teeth provide a strong component for joining plain and beveled end (including Schedule 80 steel pipe). Not to be used on plastic pipe, pipe with brittle linings, cast or ductile iron pipe, nor any pipe with a surface hardness greater than 150 Brinell.



PRODUCT FEATURES

- Encased in a durable ductile iron housing
- Curved, case-hardened steel jaws grip into pipe when nuts are tightened—to full torque specification—and it requires no pipe end preparation
- Available in pipe sizes 1-inch through 4-inch

HIGH-PRESSURE COUPLING FOR GROOVED-END PIPES

The Style 177 couplings are easily installed without the need to disassemble the bolts, nuts, gasket and housings making installation faster, easier and safer than any other—welded, flanged or standard grooved couplings. Crews can assemble a grooved joint by inserting the new installation-ready coupling onto the ends of a pipe, fitting, valve or accessory and tightening the nuts using standard hand tools or an impact gun. No loose components means a safer, cleaner and more efficient jobsite, where installers do not need to disassemble the coupling in order to install.

PRODUCT FEATURES

- Encased in a durable ductile iron housing
- Designed with cross-ribbed construction to provide a strong component for pressure piping systems
- Sizes 3/4-inch to 12-inch (20 mm to 300 mm) are two-piece housings
- Sizes 14-inch to 22-inch (350 mm to 550 mm) are cast in four identical segments, with larger sizes cast in six segments

SECTION 5 CONVEY LINE & CONVEY LINE ACCESSORIES

Quick-Connect, Cam-and-Groove Couplings

QUICK-CONNECT, CAM-AND-GROOVE COUPLINGS

Smoot Company distributes high quality quick connect/disconnect style couplings, sometimes referred to as "QD" Couplings, and their respective replacement parts. We present proven solutions at competitive pricing for most all QD Coupling applications available on the market today. If you need assistance when specifying or ordering QD Couplings our knowledgeable sales staff will assist you through the selection process.

PRODUCT FEATURES

- Sizes available from 1/2-inch through 12-inch for many types
- Constructed of cast brass, aluminum, stainless steel, malleable iron or forged brass.
- Operating temperatures up to 450°F
- Operating pressures up to 350 psig

STANDARD CONSTRUCTION MATERIALS

- Cast Brass
- 316 Stainless Steel
- Polypropylene
- Aluminum
- Malleable Iron
- Forged Brass

OPTIONAL CONSTRUCTION MATERIALS

CONTACT THE SERVICE CENTER FOR PRICING

- Hard-Coat Aluminum
- Anodized Aluminum
- Monel
- Hastalloy®C
- Carpenter 20®



Recommended Operating Conditions by Materials and Conveyance Diameter

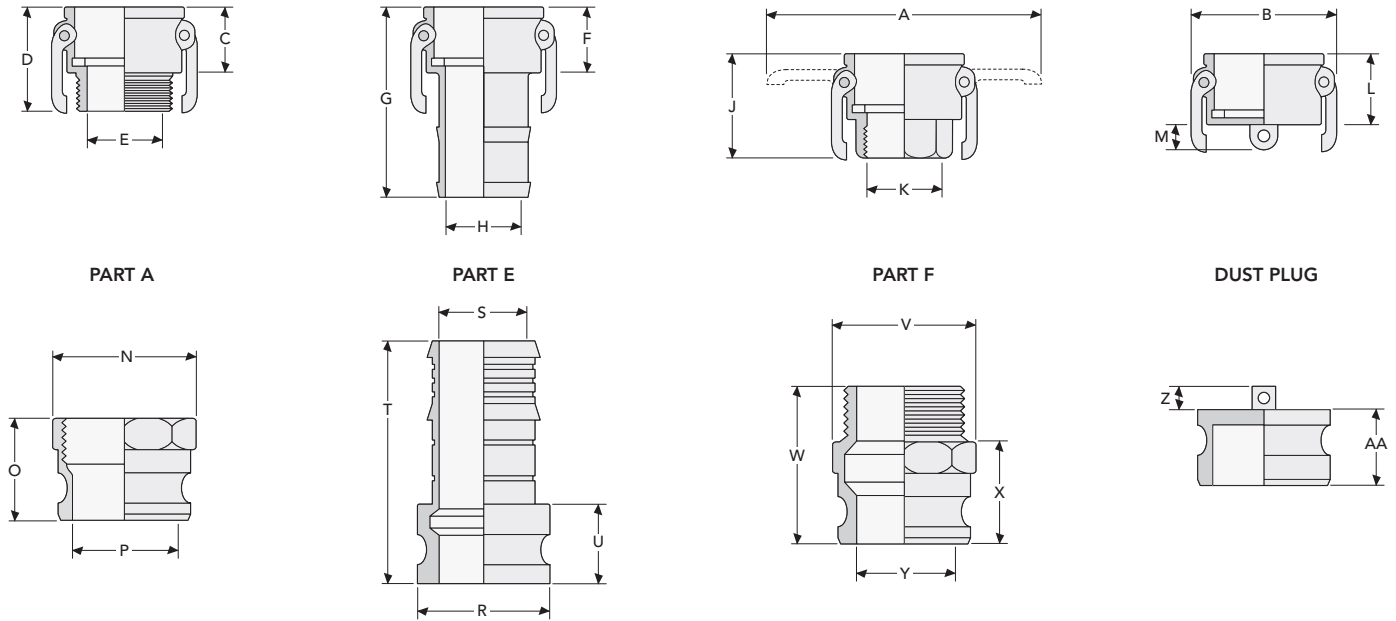
MATERIAL	GASKET	MAXIMUM WORKING PRESSURE	SIZE IN INCHES											
			1/2 to 3/4	1	1-1/4	1-1/2	2	2-1/2	3	4	5	6		
ALUMINUM (not for use above 300°F)	Standard gasket +225°F Viton gasket +350°F* (Teflon® gaskets also available)	250 psi	X	X	X	X	X							
		150 psi						X						
		125 psi							X					
		100 psi								X				
		75 psi										X	X	
FORGED BRASS	Standard gasket +225°F Viton gasket +350°F** Teflon gasket +450°F**	350 psi	X	X	X	X	X		X	X				
		250 psi						X	X					
		100 psi								X				
CAST BRASS	Standard gasket +225°F Viton gasket +350°F* (Teflon gaskets also available)	200 psi	X	X	X	X	X							
		150 psi						X						
		125 psi							X					
		100 psi								X				
		75 psi										X	X	
MALLEABLE IRON	Standard gasket +225°F; Viton gasket +350°F* (Teflon gaskets also available)	125 psi				X	X							
		100 psi						X	X	X				
STAINLESS STEEL	Standard gasket +225°F Viton gasket +350°F** Teflon gasket +450°F**	250 psi	X	X	X	X	X							
		200 psi							X					
		100 psi								X				
MONEL	Standard gasket +225°F Viton gasket +350°F** Teflon gasket +450°F**	250 psi	X	X	X	X	X							
		200 psi						X						
		150 psi								X				
		100 psi									X			
POLYPROPYLENE	Standard gasket +70°F Standard gasket +200°F	100 psi	X	X	X	X	X							
		50 psi	X	X	X	X	X							X

*For temperatures in excess of +225°F consult the Service Center for pressure ratings.

**For temperatures in excess of +300°F consult the Service Center for pressure ratings.

SECTION 5 CONVEY LINE & CONVEY LINE ACCESSORIES

Quick-Connect, Cam-and-Groove Couplings



Couplers												
Typical dimensions in inches for aluminum*												
SIZE	A	B	C	D	E	F	G	H	J	K	L	M
1/2	2-11/16	1-1/2	1-15/16	1-15/16	9/16	1-3/16	3-7/16	5/16	1-27/32	23/32	1-1/4	7/16
3/4	4-1/2	2-7/8	1-3/8	2-1/16	3/4	1-5/16	3-3/4	1/2	2-1/16	59/64	1-1/4	5/8
1	4-5/8	2-3/16	1-9/16	2-7/16	1	1-9/16	4-1/16	3/4	2-15/32	1-5/32	1-11/16	9/16
1-1/4	7-3/16	3-3/16	2-3/16	2-3/16	1-1/4	1-13/16	4-1/16	1	2-29/32	1-1/4	2-1/16	5/8
1-1/2	7-1/2	3-1/2	1-7/8	2-3/4	1-3/8	1-13/16	4-9/16	1-11/16	2-3/4	1-5/8	2	3/4
2	9-7/8	3-7/8	1-3/16	3-1/8	2	2-1/8	4-15/16	1-11/16	3-11/32	2	3	3/4
2-1/2	8-7/16	4-7/16	2-1/4	3-1/2	2-3/8	2-5/8	5-7/16	2-3/16	3-3/8	2-3/8	3-1/16	3/4
3	9-13/16	5-5/8	2-3/8	3-9/16	2-7/8	2-5/16	6-7/8	2-5/8	3-1/2	2-7/8	3-1/4	3/4
4	10-5/16	6-3/4	2-7/16	4	3-15/16	2-7/8	7-3/16	3-9/16	4	3-11/16	2-5/8	3/4
5	11-15/16	7-3/4	2-1/2	4	4-3/4	2-7/16	7-5/16	4-5/8	4-1/16	4-3/4	2-11/16	7/8
6	16-5/16	10-1/8	2-11/16	4-3/4	5-15/16	2-5/8	8-5/16	5-9/16	4-1/4	5-11/16	3-11/16	1-1/8
8	20-1/4	12-7/16	3-15/16	5-11/16	7-7/8	3-15/16	11-7/16	7-1/2	6-1/16	7-3/4	4-3/8	1-5/8

Adapters													
Typical dimensions in inches for aluminum*													
SIZE	N	O	P	R	S	T	U	V	W	X	Y	Z	AA
1/2	1	1-9/16	9/16	1-3/16	5/16	3-3/8	1-5/8	1	1-7/8	1-9/32	9/16	19/32	1-1/32
3/4	1-3/8	1-17/32	3/4	1-7/8	5/16	4-3/16	1-3/4	1-3/8	2-3/16	1-3/8	3/4	7/16	1-1/8
1	1-15/16	2-1/8	1-1/8	1-3/4	3/4	4-7/8	2	1-9/16	2-9/16	1-11/16	31/32	9/16	1-1/4
1-1/4	2-15/16	2-1/8	1-1/8	2	1	5-1/4	2-3/8	1-15/16	3	2-1/8	1-1/8	5/8	1-3/8
1-1/2	2-9/32	2-3/16	1-3/8	2-7/32	1-1/4	4-5/8	2-1/4	2-1/4	3-3/32	2-3/16	1-3/8	11/16	1-3/4
2	2-11/16	2-7/16	1-25/32	5-5/8	1-11/16	5-3/8	2-3/8	2-11/16	3-3/8	2-7/16	1-3/4	3/4	2-1/16
2-1/2	3-5/16	2-11/16	2-5/32	3-5/16	2-5/32	6	2-5/8	3-1/16	3-7/8	2-11/16	2-5/32	11/16	1-7/8
3	3-15/16	2-3/4	2-7/8	4	2-5/8	6-11/16	2-11/16	3-15/16	3-15/16	2-3/4	2-7/8	7/8	2-1/8
4	5	3-1/16	3-7/8	5-3/16	3-5/8	5-1/2	2-3/4	4-7/8	4-1/2	3-1/16	3-27/32	7/8	2-3/8
5	6	3-15/16	4-7/8	6	4-5/8	7-7/16	3-1/8	6	4-17/32	3	4-3/4	1	2-1/4
6	—	3-9/32	5-31/32	7-5/32	5-9/16	8-7/8	3-1/16	—	4-23/32	2-31/32	5-15/16	1-1/4	2-5/8
8	9-1/2	5-1/2	7-9/16	9-15/16	7-3/4	11-7/8	3-7/8	9-1/2	6-1/4	4-1/2	7-3/4	1-5/8	4-1/16

*For the dimensions associated with other available materials, please contact the Service Center.

SECTION 5 CONVEY LINE & CONVEY LINE ACCESSORIES

Quick-Connect, Cam-and-Groove Couplings

MALE ADAPTERS / FEMALE THREAD

- BSP and BST threads available on request
- Also available in 8-inch and 10-inch sizes



SIZE INCHES	ORDER NUMBER BY METAL SELECTION					
	CB CAST BRASS	AL ALUMINUM*	SS 316 STAINLESS	MI MALLEABLE IRON	PP POLYPROPYLENE	BR FORGED BRASS
1/2	5ACB	5AAL	5ASS	5AMI	N/A	5ABR
3/4	7ACB	7AAL	7ASS	7AMI	7APP	7ABR
1	10ACB	10AAL	10ASS	10AMI	10APP	10ABR
1-1/4	12ACB	12AAL	12ASS	12AMI	12APP	12ABR
1-1/2	15ACB	15AAL	15ASS	15AMI	15APP	15ABR
2	20ACB	20AAL	20ASS	20AMI	20APP	20ABR
2-1/2	25ACB	25AAL	25ASS	25AMI	N/A	25ABR
3	30ACB	30AAL	30ASS	30AMI	30APP	30ABR
4	40ACB	40AAL	40ASS	40AMI	N/A	40ABR
5	50ACB	50AAL	50ASS	50AMI	N/A	N/A
6	60ACB	60AAL	60ASS	60AMI	N/A	N/A

FEMALE COUPLERS / MALE THREAD

- BSP and BST threads available on request
- Also available in 8-inch and 10-inch sizes
- Aluminum couplers are standard with stainless-steel handles; brass handles available on request



SIZE INCHES	ORDER NUMBER BY METAL SELECTION					
	CB CAST BRASS	AL ALUMINUM*	SS 316 STAINLESS	MI MALLEABLE IRON	PP POLYPROPYLENE	BR FORGED BRASS
1/2	5BCB	5BAL	5BSS	5BMI	N/A	5BBR
3/4	7BCB	7BAL	7BSS	7BMI	7BPP	7BBR
1	10BCB	10BAL	10BSS	10BMI	10BPP	10BBR
1-1/4	12BCB	12BAL	12BSS	12BMI	12BPP	12BBR
1-1/2	15BCB	15BAL	15BSS	15BMI	15BPP	15BBR
2	20BCB	20BAL	20BSS	20BMI	20BPP	20BBR
2-1/2	25BCB	25BAL	25BSS	25BMI	N/A	25BBR
3	30BCB	30BAL	30BSS	30BMI	30BPP	30BBR
4	40BCB	40BAL	40BSS	40BMI	N/A	40BBR
5	50BCB	50BAL	50BSS	50BMI	N/A	N/A
6	60BCB	60BAL	60BSS	60BMI	N/A	N/A

FEMALE COUPLERS / HOSE SHANK

- Also available in 8-inch and 10-inch sizes
- Aluminum couplers are standard with stainless-steel handles; brass handles available on request



SIZE INCHES	ORDER NUMBER BY METAL SELECTION					
	CB CAST BRASS	AL ALUMINUM*	SS 316 STAINLESS	MI MALLEABLE IRON	PP POLYPROPYLENE	BR FORGED BRASS
1/2	5CCB	5CAL	5CSS	5CMI	N/A	5CBR
3/4	7CCB	7CAL	7CSS	7CMI	7CPP	7CBR
1	10CCB	10CAL	10CSS	10CMI	10CPP	10CBR
1-1/4	12CCB	12CAL	12CSS	12CMI	12CPP	12CBR
1-1/2	15CCB	15CAL	15CSS	15CMI	15CPP	15CBR
2	20CCB	20CAL	20CSS	20CMI	20CPP	20CBR
2-1/2	25CCB	25CAL	25CSS	25CMI	N/A	25CBR
3	30CCB	30CAL†	30CSS	30CMI	30CPP	30CBR
4	40CCB	40CAL†	40CSS	40CMI	N/A	40CBR
5	50CCB	50CAL	50CSS	50CMI	N/A	N/A
6	60CCB	60CAL	60CSS	60CMI	N/A	N/A

†3-inch and 4-inch aluminum are provided with machined shanks

FEMALE COUPLERS / FEMALE THREAD

- BSP and BST threads available on request
- Also available in 8-inch and 10-inch sizes
- Aluminum couplers are standard with stainless-steel handles; brass handles available on request



SIZE INCHES	ORDER NUMBER BY METAL SELECTION					
	CB CAST BRASS	AL ALUMINUM*	SS 316 STAINLESS	MI MALLEABLE IRON	PP POLYPROPYLENE	BR FORGED BRASS
1/2	5DCB	5DAL	5DSS	5DMI	N/A	5DBR
3/4	7DCB	7DAL	7DSS	7DMI	7DPP	7DBR
1	10DCB	10DAL	10DSS	10DMI	10DPP	10DBR
1-1/4	12DCB	12DAL	12DSS	12DMI	12DPP	12DBR
1-1/2	15DCB	15DAL	15DSS	15DMI	15DPP	15DBR
2	20DCB	20DAL	20DSS	20DMI	20DPP	20DBR
2-1/2	25DCB	25DAL	25DSS	25DMI	N/A	25DBR
3	30DCB	30DAL	30DSS	30DMI	30DPP	30DBR
4	40DCB	40DAL	40DSS	40DMI	N/A	40DBR
5	50DCB	50DAL	50DSS	50DMI	N/A	N/A
6	60DCB	60DAL	60DSS	60DMI	N/A	N/A

SECTION 5 CONVEY LINE & CONVEY LINE ACCESSORIES

Quick-Connect, Cam-and-Groove Couplings

SIZE INCHES	ORDER NUMBER BY METAL SELECTION					
	CB CAST BRASS	AL ALUMINUM*	SS 316 STAINLESS	MI MALLEABLE IRON	PP POLYPROPYLENE	BR FORGED BRASS
1/2	5ECB	5EAL	5ESS	5EMI	N/A	5EBR
3/4	7ECB	7EAL	7ESS	7EMI	7EPP	7EBR
1	10ECB	10EAL	10ESS	10EMI	10EPP	10EBR
1-1/4	12ECB	12EAL	12ESS	12EMI	12EPP	12EBR
1-1/2	15ECB	15EAL	15ESS	15EMI	15EPP	15EBR
2	20ECB	20EAL	20ESS	20EMI	20EPP	20EBR
2-1/2	25ECB	25EAL	25ESS	25EMI	N/A	25EBR
3	30ECB	30EAL†	30ESS	30EMI	30EPP	30EBR
4	40ECB	40EAL†	40ESS	40EMI	N/A	40EBR
5	50ECB	50EAL	50ESS	50EMI	N/A	N/A
6	60ECB	60EAL	60ESS	60EMI	N/A	N/A

†3-inch and 4-inch aluminum are provided with machined shanks

MALE ADAPTERS / HOSE SHANK

- Also available in 8-inch and 10-inch sizes



SIZE INCHES	ORDER NUMBER BY METAL SELECTION					
	CB CAST BRASS	AL ALUMINUM*	SS 316 STAINLESS	MI MALLEABLE IRON	PP POLYPROPYLENE	BR FORGED BRASS
1/2	5FCB	5FAL	5FSS	5FMI	N/A	5FBR
3/4	7FCB	7FAL	7FSS	7FMI	7FPP	7FBR
1	10FCB	10FAL	10FSS	10FMI	10FPP	10FBR
1-1/4	12FCB	12FAL	12FSS	12FMI	12FPP	12FBR
1-1/2	15FCB	15FAL	15FSS	15FMI	15FPP	15FBR
2	20FCB	20FAL	20FSS	20FMI	20FPP	20FBR
2-1/2	25FCB	25FAL	25FSS	25FMI	N/A	25FBR
3	30FCB	30FAL	30FSS	30FMI	30FPP	30FBR
4	40FCB	40FAL	40FSS	40FMI	N/A	40FBR
5	50FCB	50FAL	50FSS	50FMI	N/A	N/A
6	60FCB	60FAL	60FSS	60FMI	N/A	N/A

MALE ADAPTERS / MALE THREAD

- BSP and BST threads available on request
- Also available in 8-inch and 10-inch sizes



SIZE INCHES	ORDER NUMBER BY METAL SELECTION					
	CB CAST BRASS	AL ALUMINUM*	SS 316 STAINLESS	MI MALLEABLE IRON	PP POLYPROPYLENE	BR FORGED BRASS
1/2	5DPCB	5DPAL	5DPSS	5DPMI	N/A	5DPBR
3/4	7DPCB	7DPAL	7DPSS	7DPMI	7DPPP	7DPBR
1	10DPCB	10DPAL	10DPSS	10DPMI	10DPPP	10DPBR
1-1/4	12DPCB	12DPAL	12DPSS	12DPMI	12DPPP	12DPBR
1-1/2	15DPCB	15DPAL	15DPSS	15DPMI	15DPPP	15DPBR
2	20DPCB	20DPAL	20DPSS	20DPMI	20DPPP	20DPBR
2-1/2	25DPCB	25DPAL	25DPSS	25DPMI	N/A	25DPBR
3	30DPCB	30DPAL	30DPSS	30DPMI	30DPPP	30DPBR
4	40DPCB	40DPAL	40DPSS	40DPMI	N/A	40DPBR
5	50DPCB	50DPAL	50DPSS	50DPMI	N/A	N/A
6	60DPCB	60DPAL	60DPSS	60DPMI	N/A	N/A

DUST PLUG

- For use with couplers
- Not for use in pressure applications
- Also available in 8-inch and 10-inch sizes



SIZE INCHES	ORDER NUMBER BY METAL SELECTION					
	CB CAST BRASS	AL ALUMINUM*	SS 316 STAINLESS	MI MALLEABLE IRON	PP POLYPROPYLENE	BR FORGED BRASS
1/2	5DCCB	5DCAL	5DCSS	5DCMI	N/A	5DCBR
3/4	7DCCB	7DCAL	7DCSS	7DCMI	7DCPP	7DCBR
1	10DCCB	10DCAL	10DCSS	10DCMI	10DCPP	10DCBR
1-1/4	12DCCB	12DCAL	12DCSS	12DCMI	12DCPP	12DCBR
1-1/2	15DCCB	15DCAL	15DCSS	15DCMI	15DCPP	15DCBR
2	20DCCB	20DCAL	20DCSS	20DCMI	20DCPP	20DCBR
2-1/2	25DCCB	25DCAL	25DCSS	25DCMI	N/A	25DCBR
3	30DCCB	30DCAL	30DCSS	30DCMI	30DCPP	30DCBR
4	40DCCB	40DCAL	40DCSS	40DCMI	N/A	40DCBR
5	50DCCB	50DCAL	50DCSS	50DCMI	N/A	N/A
6	60DCCB	60DCAL	60DCSS	60DCMI	N/A	N/A

DUST CAP

- For use with adapters
- Not for use in pressure applications
- Also available in 8-inch and 10-inch sizes
- Aluminum couplers are standard with stainless-steel handles; brass handles available on request



For Electric Motor Dimensions, contact The Service Center.

SECTION 5 CONVEY LINE & CONVEY LINE ACCESSORIES

Quick-Connect, Cam-and-Groove Couplings

COUPLINGS FOR BUTT WELD (BW) OR SOCKET WELD (SW) — ADAPTERS

- Specify tube size or pipe size schedule
- Also available in 8-inch and 10-inch sizes



SIZE INCHES	BUTT WELD ADAPTER			SOCKET WELD ADAPTER		
	BR FORGED BRASS	AL ALUMINUM	SS 316 STAINLESS	BR FORGED BRASS	AL ALUMINUM	SS 316 STAINLESS
1	10ABWBR	10ABWAL	10ABWSS	10ASWBR	10ASWAL	10ASWSS
1-1/2	15ABWBR	15ABWAL	15ABWSS	15ASWBR	15ASWAL	15ASWSS
2	20ABWBR	20ABWAL	20ABWSS	20ASWBR	20ASWAL	20ASWSS
2-1/2	25ABWBR	25ABWAL	25ABWSS	25ASWBR	25ASWAL	25ASWSS
3	30ABWBR	30ABWAL	30ABWSS	30ASWBR	30ASWAL	30ASWSS
4	40ABWBR	40ABWAL	40ABWSS	40ASWBR	40ASWAL	40ASWSS
5	50ABWBR	50ABWAL	50ABWSS	50ASWBR	50ASWAL	50ASWSS
6	60ABWBR	60ABWAL	60ABWSS	60ASWBR	60ASWAL	60ASWSS

COUPLINGS FOR BUTT WELD (BW) OR SOCKET WELD (SW) — COUPLERS

- Specify tube size or pipe size schedule
- Also available in 8-inch and 10-inch sizes



SIZE INCHES	BUTT WELD COUPLER			SOCKET WELD COUPLER		
	BR FORGED BRASS	AL ALUMINUM	SS 316 STAINLESS	BR FORGED BRASS	AL ALUMINUM	SS 316 STAINLESS
1	10DBWBR	10DBWAL	10DBWSS	10DSWBR	10DSWAL	10DSWSS
1-1/2	15DBWBR	15DBWAL	15DBWSS	15DSWBR	15DSWAL	15DSWSS
2	20DBWBR	20DBWAL	20DBWSS	20DSWBR	20DSWAL	20DSWSS
2-1/2	25DBWBR	25DBWAL	25DBWSS	25DSWBR	25DSWAL	25DSWSS
3	30DBWBR	30DBWAL	30DBWSS	30DSWBR	30DSWAL	30DSWSS
4	40DBWBR	40DBWAL	40DBWSS	40DSWBR	40DSWAL	40DSWSS
5	50DBWBR	50DBWAL	50DBWSS	50DSWBR	50DSWAL	50DSWSS
6	60DBWBR	60DBWAL	60DBWSS	60DSWBR	60DSWAL	60DSWSS

COUPLINGS FOR DRY PRODUCTS — ADAPTERS (STRAIGHT THREAD)



SIZE INCHES	ADAPTERS (STRAIGHT THREAD)		
	BR FORGED BRASS	AL ALUMINUM	SS 316 STAINLESS
1	10ASBR	10ASAL	10ASSS
1-1/2	15ASBR	15ASAL	15ASSS
2	20ASBR	20ASAL	20ASSS
2-1/2	25ASBR	25ASAL	25ASSS
3	30ASBR	30ASAL	30ASSS
4	40ASBR	40ASAL	40ASSS
5	50ASBR	50ASAL	50ASSS
6	60ASBR	60ASAL	60ASSS
3 x 2	3020ASBR	N/A	N/A
4 x 3	4030ASBR	4030ASAL	N/A

COUPLINGS FOR DRY PRODUCTS — COUPLERS (STRAIGHT THREAD)



SIZE INCHES	COUPLERS (STRAIGHT THREAD)		
	BR FORGED BRASS	AL ALUMINUM	SS 316 STAINLESS
2	20DSBR	20DSAL	20DSSS
3	30DSBR	30DSAL	30DSSS
4	40DSBR	40DSAL	40DSSS
5	50DSBR	50DSAL	50DSSS
6	60DSBR	60DSAL	60DSSS

SECTION 5 CONVEY LINE & CONVEY LINE ACCESSORIES

Quick-Connect, Cam-and-Groove Couplings

SIZE INCHES	FLA ADAPTERS		
	BR FORGED BRASS	AL ALUMINUM	SS 316 STAINLESS
1	10FLABR	10FLAAL	10FLASS
1-1/2	15FLABR	15FLAAL	15FLASS
2	20FLABR	20FLAAL	20FLASS
2-1/2	25FLABR	25FLAAL	25FLASS
3	30FLABR	30FLAAL	30FLASS
4	40FLABR	40FLAAL	40FLASS
6	60FLABR	60FLAAL	60FLASS
8	80FLABR	80FLAAL	80FLASS

ASA FLANGE COUPLINGS — FLA ADAPTERS

- Standard with 150-lb, flat-face flange and bolt hole patterns for FLA parts
- Other flange configurations available on request



SIZE INCHES	FLB COUPLERS		
	BR FORGED BRASS	AL ALUMINUM	SS 316 STAINLESS
1	10FLBBR	10FLBAL	10FLBSS
1-1/2	15FLBBR	15FLBAL	15FLBSS
2	20FLBBR	20FLBAL	20FLBSS
2-1/2	25FLBBR	25FLBAL	25FLBSS
3	30FLBBR	30FLBAL	30FLBSS
4	40FLBBR	40FLBAL	40FLBSS
6	60FLBBR	60FLBAL	60FLBSS
8	80FLBBR	80FLBAL	80FLBSS

ASA FLANGE COUPLINGS — FLB COUPLERS

- Standard with 150-lb, flat-face flange and bolt hole patterns for FLB parts
- Other flange configurations available on request



SIZE INCHES	LAT ADAPTERS
	AL ALUMINUM
2	20LATAL
3	30LATAL
4	40LATAL
6	60LATAL



TANK TRUCK FLANGE COUPLINGS — LAT ADAPTERS

- Available in aluminum only
- Bolt hole patterns for LAT parts available on request

SIZE INCHES	LBT COUPLERS
	AL ALUMINUM
2	20LBTAL
3	30LBTAL
4	40LBTAL
6	60LBTAL



TANK TRUCK FLANGE COUPLINGS — LBT COUPLERS

- Available in aluminum only
- Bolt hole patterns for LBT parts available on request

SIZE INCHES	HEAVY-DUTY BRASS COUPLINGS				
	PART A MALE	PART D FEMALE	DUST CAP	DUST PLUG	GASKET
1/2	5AXB	5DXB	5DCXB	5DPXB	5GSKBUHD
3/4	7AXB	7DXB	7DCXB	7DPXB	7GSKBUHD
1	10AXB	10DXB	10DCXB	10DPXB	10GSKBUHD
1-1/4	12AXB	12DXB	12DCXB	12DPXB	12GSKBUHD
1-1/2	15AXB	15DXB	15DCXB	15DPXB	15GSKBUHD
2	20AXB	20DXB	20DCXB	20DPXB	20GSKBUHD
2-1/2	25AXB	25DXB	25DCXB	25DPXB	25GSKBUHD
3	30AXB	30DXB	30DCXB	30DPXB	30GSKBUHD
4	40AXB	40DXB	40DCXB	40DPXB	40GSKBUHD

HEAVY-DUTY BRASS COUPLINGS — SPECIAL DESIGN

- Not interchangeable with standard cam-and-groove couplings