



PNEUMATIC CONVEYING VALVES

SLIDE DIVERTER VALVES

Magnum Systems' Diverter Valve is legendary for its reliability. It features a unique sealing method, which uses regulated compressed air applied to the sealing rings, which results in an airtight seal between the inlet and outlet ports.

DIVERT FROM ONE TO THREE LINES, WITH VALVE DESIGN.

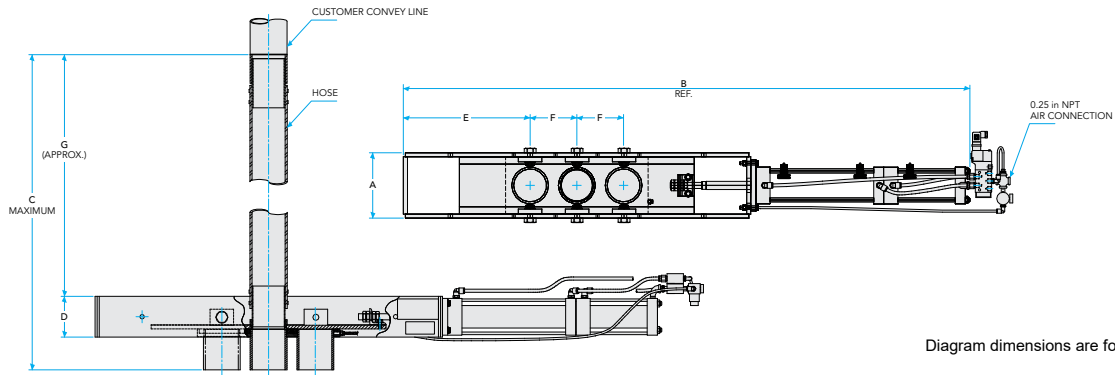
- Unique model design features minimal line deflection, reducing wear and product degradation
- Pipe or tube sizes 2 to 6 in. available in three-position and 2 to 12 in. in two-position
- Bi-directional (divert or converge)
- Air-tight / dust-tight
- Pressure or vacuum applications
- High-temperature (185°F continuous) options available
- Carbon steel (standard) or stainless steel product contact points
- High pressure (100 psi Dense Phase) available in two-position valve only



Three-position Slide Diverter

Two-position Slide Diverter

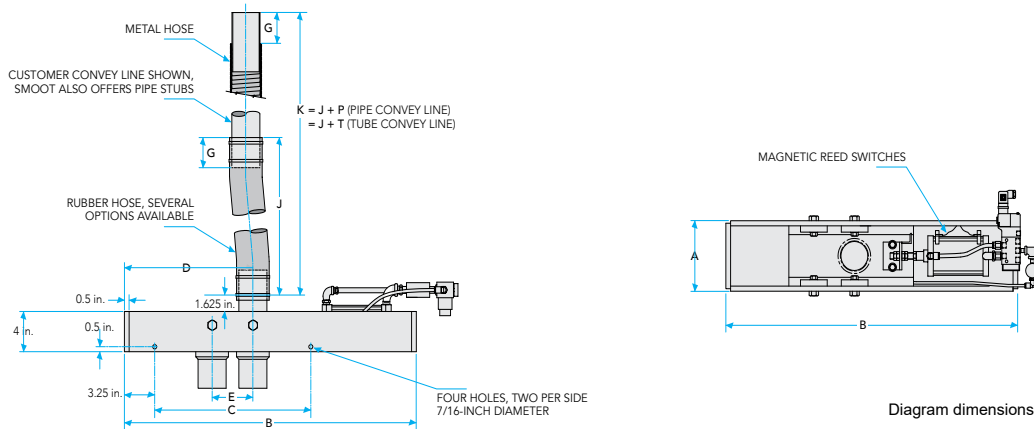
PNEUMATIC CONVEYING VALVES



Three-Position Slide Diverter Valve (SDV)

Dimensions (inches)

	A	B	C	D	E	F	RUBBER (HOSE) G	METAL HOSE (PIPE) G	METAL HOSE (TUBE) G
2-inch line	6	42-3/4	46	5	8-13/16	3-1/32	28	32	38
3-inch line	7	55-3/4	54	5	12-1/8	4-5/8	36	40	46
4-inch line	8	69-5/16	68	5	15-1/2	5-23/32	48	53	59
5-inch line	9	79-5/16	76	5	18	6-23/32	56	61	67
6-inch line	10	90-5/16	91	6	20-5/8	7-3/4	66	72	80



Two-Position Slide Diverter Valve (SDV)

Dimensions (inches)

	A	B	C	D	E	F	G	H	J	P	T	A/C Bore	Weight (lbs)
2-inch line	6	27-3/4	11-3/8	10-5/16	3-1/32	4	2-3/4	9-1/8	21	4	10	3	58
2.5-inch line	7	34-7/16	16-3/4	13-25/32	4-3/8	4	2-3/4	9-1/8	25	4	10	3-1/2	86
3-inch line	7	34-7/16	16-3/4	13-25/32	4-3/8	4	2-3/4	9-1/8	29	4	10	3-1/2	86
4-inch line	8	41-1/16	22-1/16	17-1/8	5-23/32	4-1/2	3-3/4	10-5/8	38	5	11	4	112
5-inch line	9	46-5/16	26-1/16	19-5/8	6-23/32	4-1/2	3-3/4	11-5/8	44	5	11	5	137
6-inch line	10	51-1/2	30-3/16	22-7/32	7-3/4	5-1/2	4-3/4	14-5/8	53	6	14	5	175
8-inch line	12	61-3/4	38-3/16	27-7/32	9-3/4	6-3/4	5-3/4	19-3/4	67	6	14	6	215
10-inch line	14-1/2	73-1/2	46-11/16	32-29/32	11-7/8	7	5-3/4	20	82	7	17	6	255
12-inch line	16-1/2	82-1/8	54-11/16	37-9/32	13-7/8	7	5-3/4	20-1/8	96	7	17	7	275



©2024 Magnum Systems, Inc. All rights reserved. Catalog number MS.1021.0824



www.magnumsystems.com

Toll Free 800.748.7000 Fax 913.362.7863
7945 Flint Street, Lenexa, KS 66214