



SMOOT

TAYLOR

# ROTARY AIRLOCK VALVES

## TYPE-4

Magnum Systems' Type-4 takes stainless steel to the next level with complete 304 stainless product contact construction. The Type-4 is constructed with an open-end rotor and will handle your mildly corrosive materials while maintaining the legendary toughness.

### CORROSION DUTY ROTARY VALVE

- Our stainless steel cast rotary valve
- Construction: 316 stainless steel housing and end plates with 304 stainless steel open-end rotor
- Outboard bearings with three molyurethane U-cup packing rings per side
- Chain and sprocket drive with guard
- Available in two sizes: Model FT-9 ( 0.27 CFR) or Model FT-12( 0.75 CFR)
- Can be used as a feeder or airlock
- 100% manufactured and assembled in the United States
- See Nedox Type-3 for additional size valves that meet food-grade requirements

### Application Examples

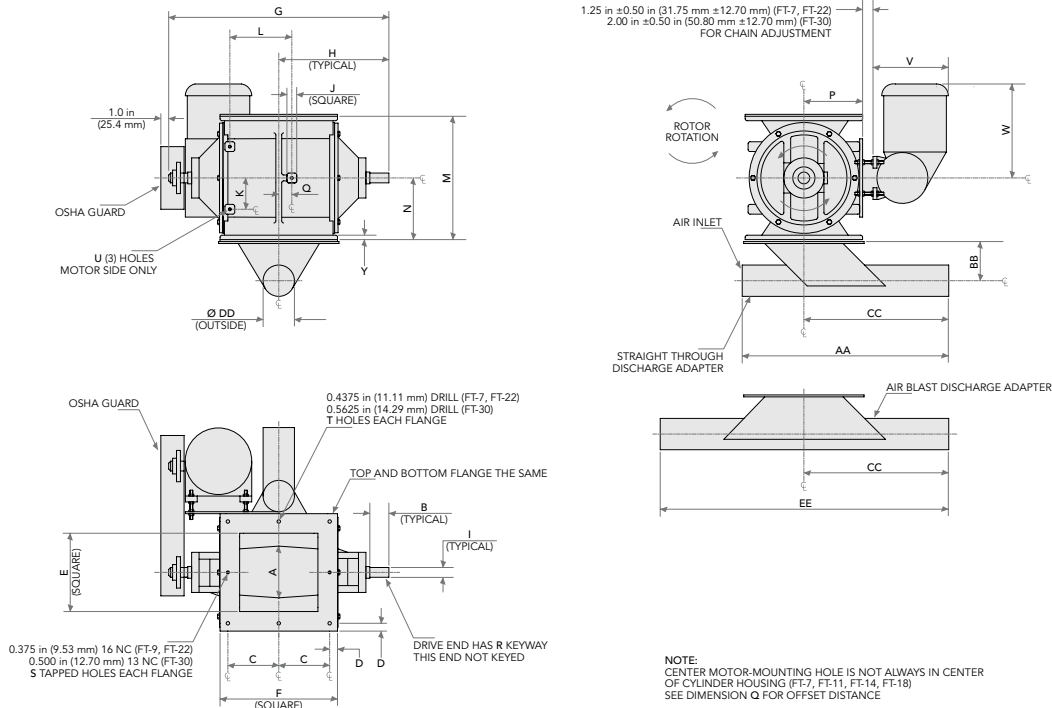
- Food grade requiring 304SS product contact
- Areas that have caustic wash-down requirements
- Sea water environments

### Optional Features

- Relieved tips and vane edge rotors
- Reduced-capacity rotors
- Zero-speed switches
- Motor-mounting brackets
- Shaft air purge



# ROTARY AIRLOCK VALVES



## DIMENSIONS TYPE-4

Dimensions (inches)

	FT-9	FT-12		FT-9	FT-12
<b>A</b>	4-3/4	6-1/2	<b>P</b>	6-1/4	7-1/2
<b>B</b>	1-3/4	2-1/4	<b>Q</b>	0	0
<b>C</b>	5-1/4	6-1/2	<b>R</b>	1/8X1/4	1/8X1/4
<b>D</b>	3/4	1	<b>S</b>	2	2
<b>E</b>	8	10	<b>T</b>	6	6
<b>F</b>	12	15	<b>U</b>	3/8-16	3/8-16
<b>G</b>	21-3/8	28-1/8	<b>Y</b>	9/16	9/16
<b>H</b>	10-11/16	14-1/16	<b>CAPACITY PER REV</b>		
<b>I</b>	1	1-1/2		0.27 FT-3	0.75 FT-3
<b>J</b>	1	1-1/4			
<b>K</b>	2-1/2	4			
<b>L</b>	4-1/4	6-1/4			
<b>M</b>	12-1/2	15-3/4			
<b>N</b>	6-1/4	7-7/8			



©2024 Magnum Systems, Inc. All rights reserved. Catalog number MS.4007.0824



[www.magnumsystems.com](http://www.magnumsystems.com)

Toll Free 800.748.7000 Fax 913.362.7863  
7945 Flint Street, Lenexa, KS 66214