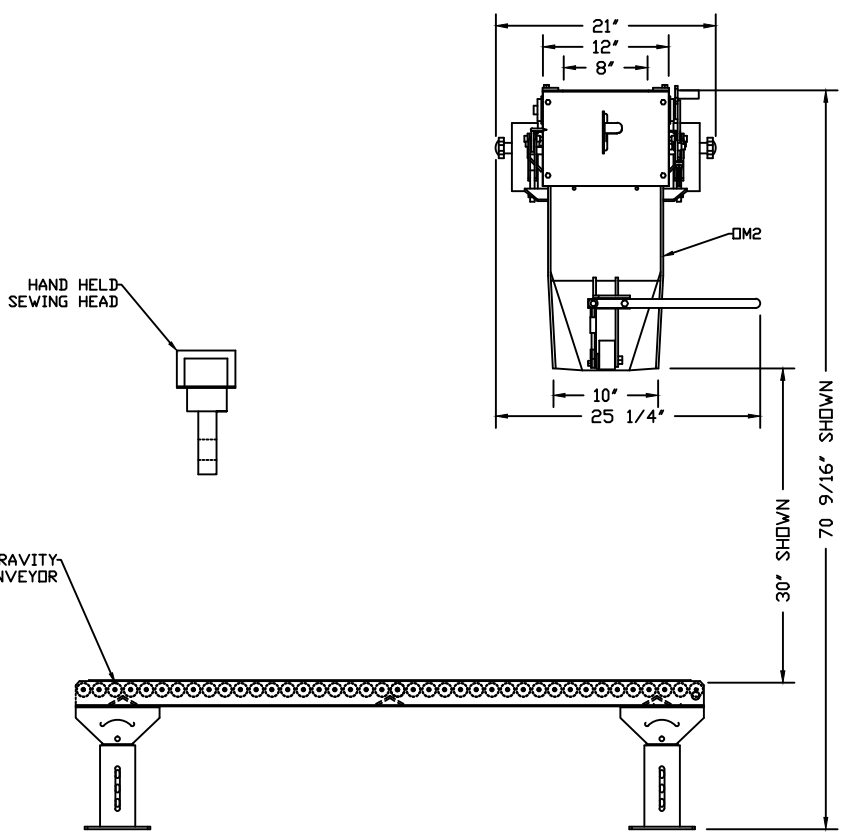
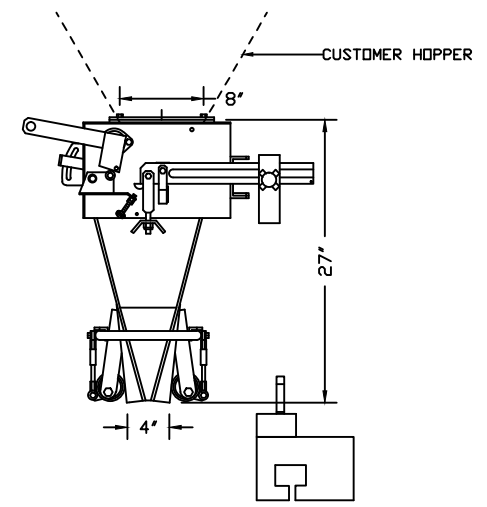


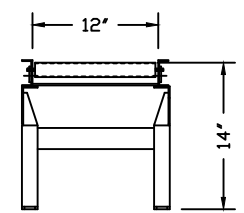
~~~ TOP VIEW ~~~



~~~ FRONT VIEW ~~~



~~~ END VIEW ~~~



|                                                                                                                                                                                                                                                                                                                                     |                |                                                                                                                                                                                                    |                        |                                                                                                                                                                                             |
|-------------------------------------------------------------------------------------------------------------------------------------------------------------------------------------------------------------------------------------------------------------------------------------------------------------------------------------|----------------|----------------------------------------------------------------------------------------------------------------------------------------------------------------------------------------------------|------------------------|---------------------------------------------------------------------------------------------------------------------------------------------------------------------------------------------|
| <small>EDITING THIS DOCUMENT INVALIDATES THE DRAWING AS A WHOLE. DISCREPANCIES, CORRECTIONS OR REVISIONS ARE TO BE COMMUNICATED TO MAGNUM SYSTEMS TO BE IMPLEMENTED.</small>                                                                                                                                                        |                | <b>MAGNUM-KANSAS CITY</b><br><small>1255 Somerset St.<br/>         Kansas City, KS 66103<br/>         Toll Free 800.748.7000<br/>         Phone 913.362.1710<br/>         Fax 913.362.7863</small> |                        | <b>MAGNUM-PARSONS</b><br><small>2200 S. 101st Ave.<br/>         Parsons, KS 67357<br/>         Toll Free 888.882.6667<br/>         Phone 620.421.5550<br/>         Fax 620.421.5531</small> |
| Model                                                                                                                                                                                                                                                                                                                               | OM2 SYSTEM     | View                                                                                                                                                                                               | FRONT, LH SIDE, & PLAN | QTY                                                                                                                                                                                         |
| Customer Name                                                                                                                                                                                                                                                                                                                       | MAGNUM SYSTEMS |                                                                                                                                                                                                    |                        |                                                                                                                                                                                             |
| Sales Order                                                                                                                                                                                                                                                                                                                         | 78816          | Job Order                                                                                                                                                                                          |                        |                                                                                                                                                                                             |
| Drawn By                                                                                                                                                                                                                                                                                                                            | DRJ            | Date                                                                                                                                                                                               | 8/3/17                 | Scale                                                                                                                                                                                       |
|                                                                                                                                                                                                                                                                                                                                     |                | Dwg. Name                                                                                                                                                                                          | OM2-200                |                                                                                                                                                                                             |
| <small>THIS DRAWING IS THE SOLE PROPERTY OF MAGNUM SYSTEMS. ITS ACCEPTANCE CONSTITUTES AN AGREEMENT THAT IT SHALL BE TREATED AS A STRICTLY CONFIDENTIAL DOCUMENT AND IS TO BE RETURNED UPON REQUEST AND IS NOT TO BE COMMUNICATED, DISCLOSED, LOANED OR COPIED EXCEPT AS EXPRESSLY AUTHORIZED IN WRITING BY MAGNUM SYSTEMS.</small> |                |                                                                                                                                                                                                    |                        |                                                                                                                                                                                             |