



# ECONOMICAL BAGGING SCALE

## MODEL OM-2 SERIES

Magnum Systems' Model OM-2 Series uses a patented beam scale and is self-dampening. The weight pointer and calibration adjustment are located directly on the beam. The OM-2 Series flow control regulates the speed of material going through the scale. The series includes both manual mechanical and automatic air/electric models.

### SIMPLE AND ACCURATE GRAVITY WEIGH SCALE

#### Features

- Mechanical beam scale operation
- Non-concentric bag clamp for positive grip (OM-2)
- Pneumatic bag clamp with auto-bag release (OM-2A)
- Adjustable flow gate

#### Optional Features

- Stainless steel construction
- Shock absorber
- Belt feeder
- Valve bag adapter
- Integrate sealing, conveying, and palletizing equipment for a complete automated system

#### Materials Typically Handled

- Dry, granular, free-flowing products:
  - Wheat
  - Feed mixes
  - Granular fertilizer
  - Cracked corn
  - Deer corn mixes

OM-2

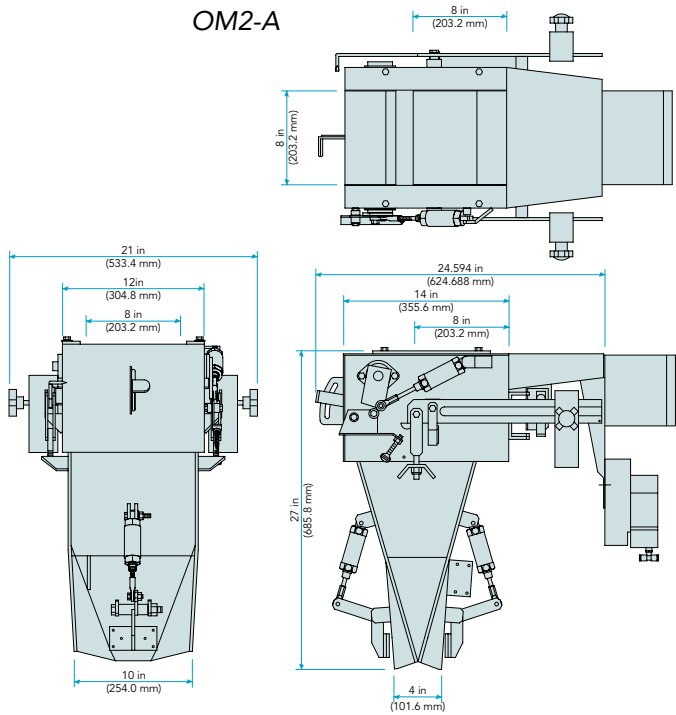


OM-2A



# ECONOMICAL BAGGING SCALE

OM2-A



OM2

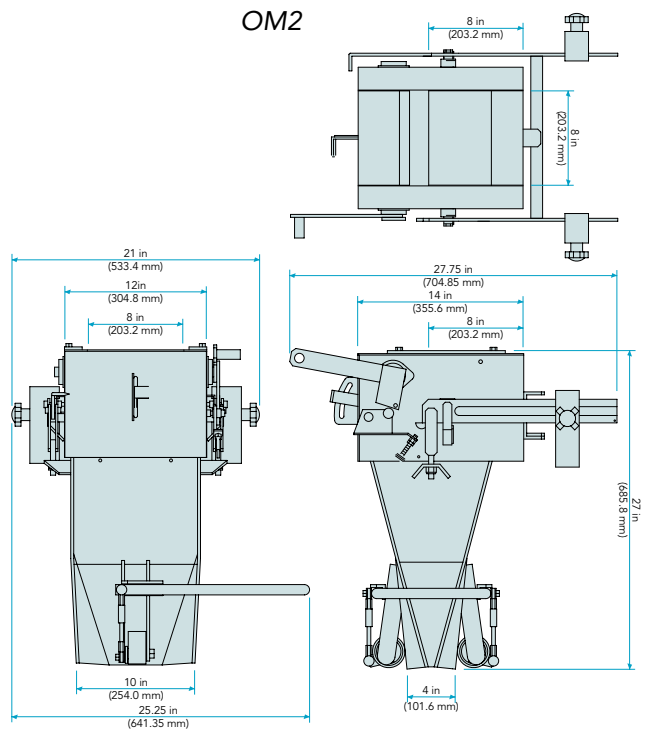


Diagram dimensions are for reference only\*

## SPECIFICATIONS

Speed	Up to 15 BPM
Accuracy	± 0.5 lb
Weight Range	15 to 125 lb (6.8 to 56 kg) <i>(Weight range is dependent on product's bulk density. Free product testing recommended.)*</i>
Configuration	Gross & net weigh <i>(Net weigh configuration requires an optional weigh bucket)</i>
Construction	Carbon steel
Paint	Magnum Systems blue: RAL 5015
Electrical Requirements	115 volt, single phase (OM-2A ONLY)
Air Requirements	100 PSI (6.29 BAR), 2 CFM (OM-2A ONLY)

## OM-2 SYSTEM EXAMPLE



©2024 Magnum Systems, Inc. All rights reserved. Catalog number MS.1034.0824